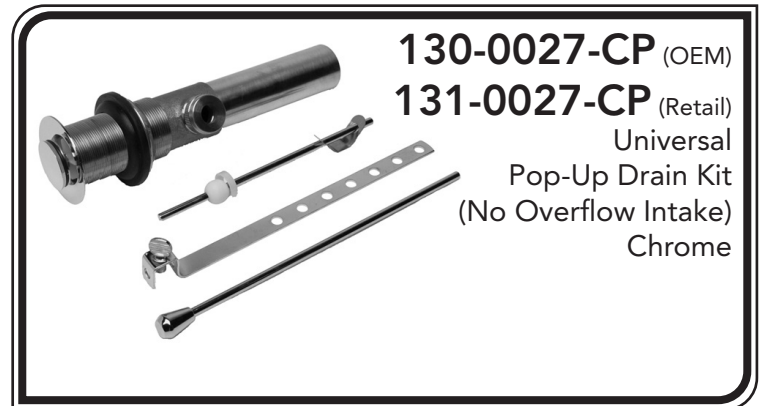


INSTALLATION INSTRUCTIONS

Thank you for choosing Ambassador Marine.

Your new Ambassador Marine faucet, sprayer, shower or accessory will give you years of trouble-free performance. Please read these instructions carefully before installing your new item. If you have any additional questions about the installation of this product, please feel free to contact one of our friendly customer service representatives at 800.270.4262.



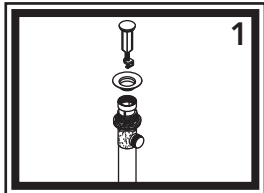
130-0027-CP (OEM)

131-0027-CP (Retail)

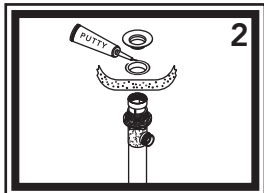
Universal

Pop-Up Drain Kit
(No Overflow Intake)

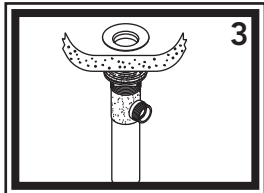
Chrome



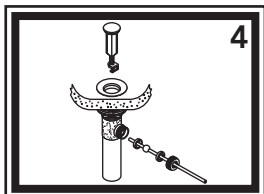
1) Unscrew flange from drain body. Leave large black gasket, white friction ring and lock nut on drain body.



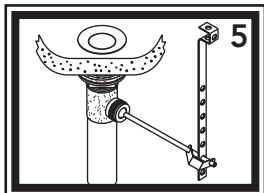
2) Place a ring of putty around the drain hole in your sink. Insert the threaded end of the drain body up through the drain hole and attach the flange to the body, with the pivot ball nut pointing to the rear of the sink.



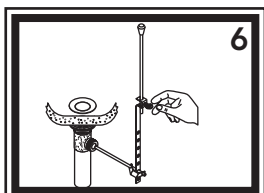
3) Tighten the lock nut from under the sink until the black rubber gasket seats securely inside the sink drain hole. Wipe away excess putty. Tighten brass lock nut with a wrench.



4) Set the drain plunger in place (see "Drain Plunger" below). Unscrew the pivot ball nut from the pop-up body and remove the spring clip from the pivot ball rod. Leave the white packing ring on and slide the ball nut onto the rod covering the white packing ring. Insert the rod into the hole on the back of the pop-up body. Slide the ball nut in place and tighten securely.



5) Slide one end of the spring clip onto the end of the pivot rod. Insert the pivot rod into one of the lower holes in the lift rod strap. Secure other end of spring clip onto pivot rod.



6) Slide lift-rod down through the hole in faucet. Insert bottom of lift-rod into hole on the top of the lift-rod strap (see "Adjusting The Lift-Rod" below). Tighten with thumb screw.

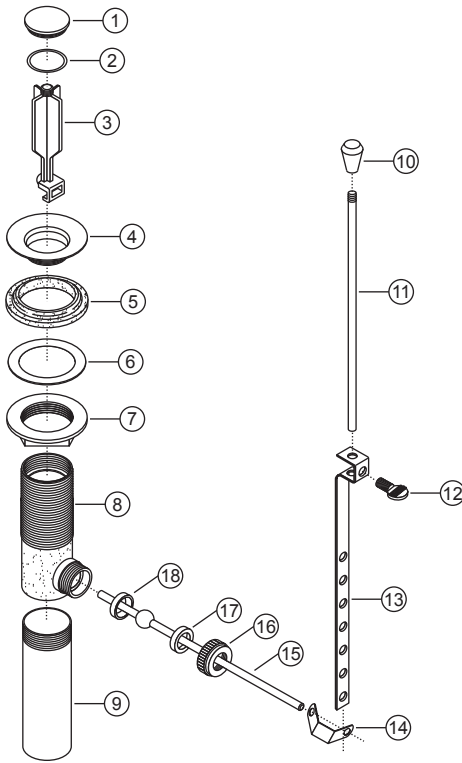
Drain Plunger

There is a small square cutout at the bottom of the drain plunger. That square needs to go down the front of the drain body (opposite side from the pivot ball nut). The pivot rod passes through that square to lock the drain plunger in and form a tight seal when drain is closed.

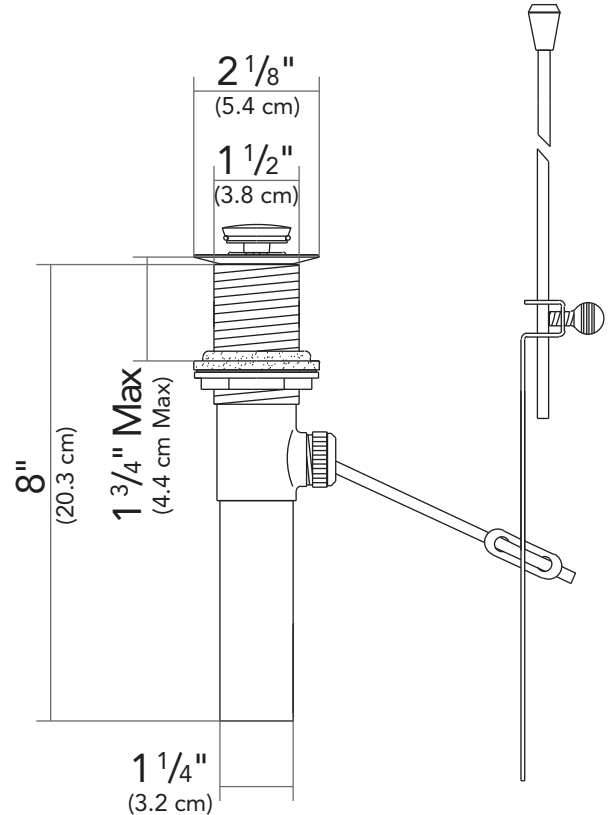
Adjusting The Lift-Rod

Adjust lift-rod function by adjusting the height of the thumb screw along the lift-rod (step 6) or by changing the hole that the pivot rod goes through on the lift-rod strap (step 5). Be sure to leave enough space between the lift-rod knob and the faucet spout when the rod is down.

Parts



- 1) Stopper
- 2) O-Ring
- 3) Plunger
- 4) Flange
- 5) Black Gasket
- 6) Friction Ring
- 7) Lock Nut
- 8) Body (no overflow intake)
- 9) Tail Pipe
- 10) Lift-Rod Knob
- 11) Lift-Rod Shaft
- 12) Thumb Screw
- 13) Lift-Rod Strap
- 14) Spring Clip
- 15) Pivot Rod
- 16) Pivot Ball Nut
- 17) Packing Ring
- 18) Packing Ring



PROPER FINISH CARE

Your new faucet or accessory is protected by a clear-coat. To clean it, you only need to wipe it with a damp, soft cloth. NEVER use any abrasive cleaners, steel wool, or chemicals (including alcohol or ammonia), as they will harm the finish and void your warranty. If the item will be installed in a salt-air environment (boat exterior), regular cleaning with gentle soap and carnauba wax will prolong the life of the finish.

Visit our web site at www.ambassadormarine.com

Ambassador Marine reserves the right to update specifications, change prices, or make substitutions without notice.

LIMITED WARRANTY

Ambassador Marine faucets and accessories are guaranteed to be free from material and workmanship defects under normal use and service for a period of five (5) years from the date of purchase. This warranty will not apply to faucets or accessories that were improperly installed, misapplied, or incompatible with components not manufactured by Ambassador. Faucet failures due to foreign debris is not covered under the terms of this limited warranty. Ambassador will not warrant any faucet or accessory that is physically damaged, or altered outside the Ambassador factory.

Returns are to be shipped postage prepaid to Ambassador Marine's service center at: 1173 Calle Suerte, Camarillo, CA 93012.

A Return Authorization Number is required and must be clearly visible on the shipping carton.

Absolutely no credit or payment will be allowed for consumers on any item deemed defective. Ambassador Marine's obligation is limited to the repair or replacement of the defective item only, at Ambassador Marine's sole discretion. All returns will be examined and/or tested under Ambassador Marine test criteria. Replacements will be shipped freight prepaid.

This limited warranty is in lieu of all other warranties, expressed or implied, and no other person is authorized to give any other warranty or assume obligation or liability on Ambassador Marine's behalf. Ambassador Marine shall not be liable for any labor, damages, or other expenses, nor shall Ambassador Marine be liable for any indirect, incidental or consequential damages of any kind incurred by the use or sale of any defective product.

This limited warranty covers Marine Products sold or distributed in the United States and Canada only. Customers who purchase Ambassador Marine products sold by distributors in other countries must consult their local distributors for their warranty policy. This warranty is only a representation of the complete Ambassador Marine warranty outlined on the Ambassador Marine website and/or catalog.