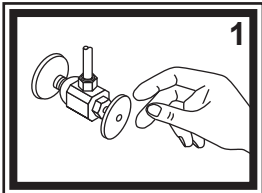
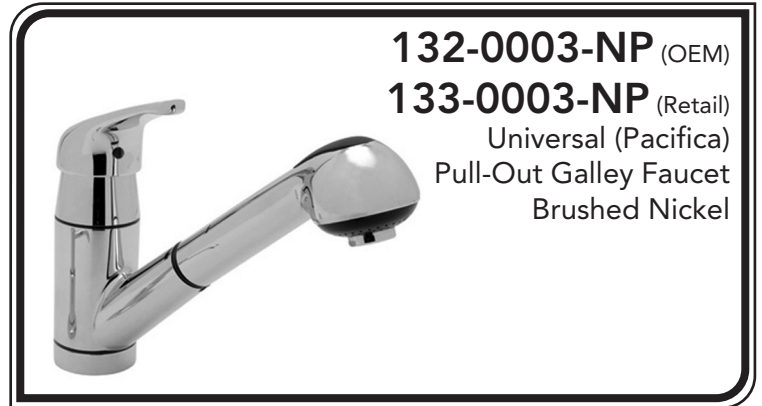


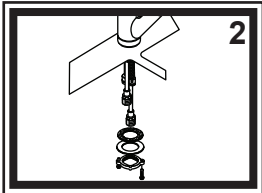
INSTALLATION INSTRUCTIONS

Thank you for choosing Ambassador Marine.

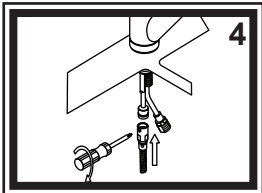
Your new Ambassador Marine faucet, sprayer, shower or accessory will give you years of trouble-free performance. Please read these instructions carefully before installing your new item. If you have any additional questions about the installation of this product, please feel free to contact one of our friendly customer service representatives at 800.270.4262.



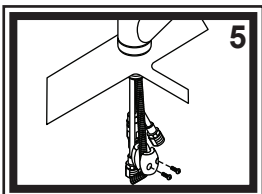
1) Turn off the water supply to your existing faucet (this procedure will vary depending on the specific plumbing system installed on your boat). Cover the sink drain to prevent any small parts or debris from falling in. Remove your existing faucet, taking care not to damage your existing water lines. Clean sink area in preparation for new faucet.



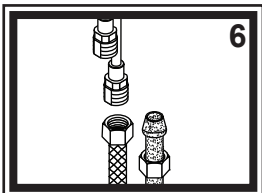
2) Place the faucet in the center hole (1 3/8" diameter hole - standard size) of the sink. Pull the flex hose all the way up until the hose stops. Slide the black rubber washer and then the metal washer onto the mounting shaft. Screw the brass lock nut onto the mounting shaft with the two screws pointing up, as illustrated. Hand tighten the brass lock nut. Position the faucet on the sink and tighten the lock nut screws with a screwdriver. **CAUTION: DO NOT OVER TIGHTEN THE SCREWS.**



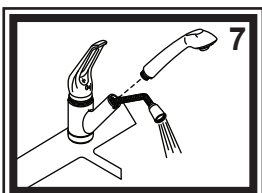
3) Very gently bend the copper water inlet tubes slightly out, to allow for larger hose clearance. **CAUTION: USE CARE WHEN BENDING THE TUBES.** Grip at point of bend with one hand and adjust with the other.



4) Screw the pipe adapter onto the flex hose. Use Teflon (Plumber's) tape on threads. Hold the hose tightly while turning the adapter. Do not allow hose to twist, as it may kink. Push the pipe adapter onto the third copper pipe with the male fitting, until you feel it "snap" into place. You may need to slightly rotate the adapter side to side while pushing it on. Tighten the pipe adapter screw to secure. The pipe adapter screw should screw completely in. Pipe adapter may rotate after connection is secure. Ensure water supply lines do not interfere with flex hose.



5) Attach metal weight to hose. Adjust position as desired. Weight must be installed to prevent hose kinking and for easy hose return.

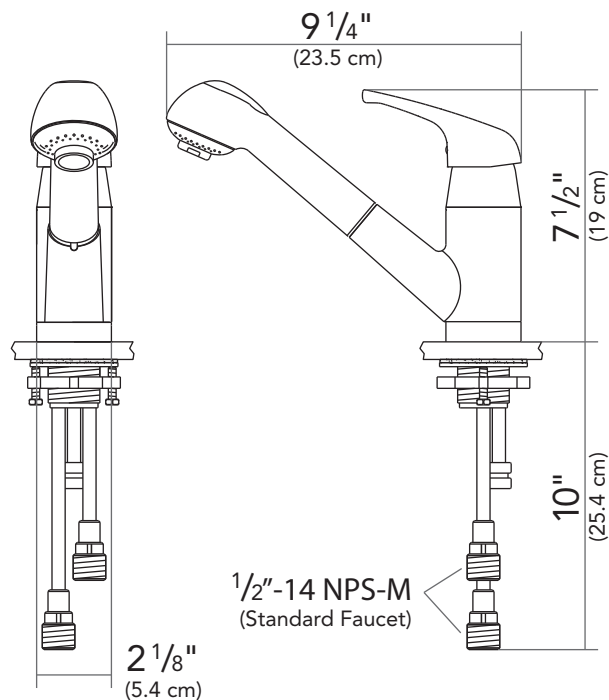
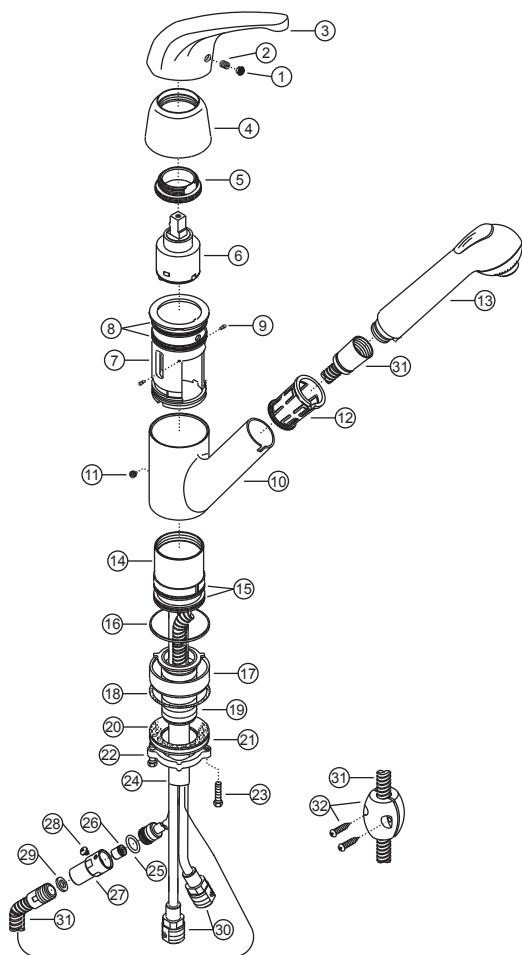


6) Connect water supply lines (not provided) to the water inlet tubes. Wrap the brass fittings on the inlet tubes with Teflon (Plumber's) tape. Follow the appropriate steps depending on your water supply lines. If you have pre-assembled water supply hoses with threaded connectors, simply screw on supply lines. If you have plastic water lines with formed ends, water lines will seat partially up into the brass fittings. Connect by tightening the coupling nuts. We do NOT suggest using sweat fittings as they are prone to blow-outs.

7) Unscrew the spout head from the flex hose. Turn the water supply back on and allow both hot and cold water to run for at least one full minute without the spout head. While water is running, check all connections for leaks. Replace the spout head. Connections may need re-tightening.

Parts

- 1) Blue/Red Cap
- 2) Handle Screw
- 3) Pacifica Handle
- 4) Cap
- 5) Retainer Ring
- 6) Ceramic Disc Cartridge
- 7) Body Housing
- 8) O-Ring
- 9) Pin
- 10) Spout Hub
- 11) Hub Set Screw
- 12) Hose Nest
- 13) Spout Head
- 14) Valve
- 15) O-Ring
- 16) Packing Ring
- 17) Base Ring
- 18) Gasket
- 19) Mounting Shaft
- 20) Rubber Washer
- 21) Metal Washer
- 22) Lock Nut
- 23) Lock Nut Screws
- 24) Hose Guide
- 25) Pipe Adapter O-Ring
- 26) Back Flow Preventer
- 27) Pipe Adapter
- 28) Pipe Adapter Screw
- 29) Pipe Adapter Washer
- 30) Inlet Tube
- 31) Flex Hose
- 32) Weight & Screws



PROPER FINISH CARE

Your new faucet or accessory is protected by a clear-coat. To clean it, you only need to wipe it with a damp, soft cloth. NEVER use any abrasive cleaners, steel wool, or chemicals (including alcohol or ammonia), as they will harm the finish and void your warranty. If the item will be installed in a salt-air environment (boat exterior), regular cleaning with gentle soap and carnauba wax will prolong the life of the finish.

Visit our Web Site at <http://www.ambassadormarine.com>
Ambassador Marine reserves the right to update specifications,
change prices, or make substitutions without notice.

LIMITED WARRANTY

Ambassador Marine faucets and accessories are guaranteed to be free from material and workmanship defects under normal use and service for a period of five (5) years from the date of purchase. This warranty will not apply to faucets or accessories that were improperly installed, misapplied, or incompatible with components not manufactured by Ambassador. Faucet failures due to foreign debris is not covered under the terms of this limited warranty. Ambassador will not warrant any faucet or accessory that is physically damaged, or altered outside the Ambassador factory.

Returns are to be shipped postage prepaid to Ambassador Marine's service center at:
1173 Calle Suerte, Camarillo, CA 93012.

A Return Authorization Number is required and must be clearly visible on the shipping carton.

Absolutely no credit or payment will be allowed for consumers on any item deemed defective. Ambassador Marine's obligation is limited to the repair or replacement of the defective item only, at Ambassador Marine's sole discretion. All returns will be examined and/or tested under Ambassador Marine test criteria. Replacements will be shipped freight prepaid.

This limited warranty is in lieu of all other warranties, expressed or implied, and no other person is authorized to give any other warranty or assume obligation or liability on Ambassador Marine's behalf. Ambassador Marine shall not be liable for any labor, damages, or other expenses, nor shall Ambassador Marine be liable for any indirect, incidental or consequential damages of any kind incurred by the use or sale of any defective product.

This limited warranty covers Marine Products sold or distributed in the United States and Canada only. Customers who purchase Ambassador Marine products sold by distributors in other countries must consult their local distributors for their warranty policy. This warranty is only a representation of the complete Ambassador Marine warranty outlined on the Ambassador Marine website and/or catalog.