



INSTALLATION INSTRUCTIONS

Thank you for choosing Ambassador Marine.

Your new Ambassador Marine faucet, shower, sprayer or accessory will give you years of trouble-free performance. Please read these instructions carefully before installing your new item. If you have any additional questions about the installation of this product, feel free to contact a customer service representative at 1.800.270.4262.



134-0003-__
Universal
Hand-Held Shower

Available Color/Finish Suffix Codes
-CP Chrome

ANY SUFFIX FOLLOWED WITH "-R" OR
"-W" INDICATES - RETAIL PACKAGED

IF REPLACING AN EXISTING ELBOW:

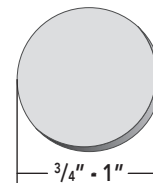
Turn off the water supply to your existing faucet (this procedure will vary depending on the specific plumbing system installed on your boat). Cover the drain to prevent any small parts or debris from falling in. Remove your existing elbow, taking care not to damage your existing water lines. Clean bulkhead/wall area in preparation for new elbow.

IF ADDING NEW HOLE(S) TO WALL:

See "Installation Hole Requirement" to the right, for this model. Check to ensure there is enough room for your hand-held shower hose to hang freely and extend into the shower. Drill hole, using proper bit for bulkhead/wall surface and diameter.

Installation Hole Requirement

This unit requires a minimum of this/these hole(s)



Wall-Mount

INSTALLING YOUR NEW AMBASSADOR MARINE UNIT:

NEEDED / HELPFUL TOOLS



Safety Glasses



Drill (with 1" Bit)



Adjustable Wrench



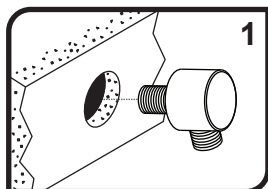
Pliers



Plumber's (Teflon) Tape

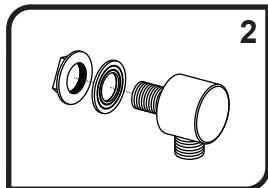


Clean Rags



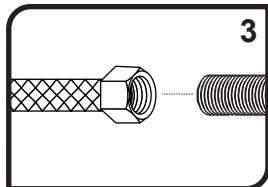
1

1) If the Mounting Nut and rubber Washer are already on the Bulkhead Elbow's pipe nipple, remove them. Make sure the pipe nipple is tight into the back of the Bulkhead Elbow body. Slip the nipple through the hole in the bulkhead.



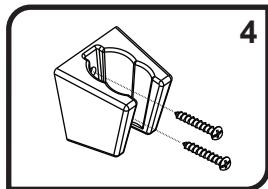
2

2) From the back side of the bulkhead, slide the rubber Washer and thread the Mounting Nut onto the pipe nipple and hand-tighten. Confirm the proper position of the elbow from the front side of the bulkhead. Tighten the Mounting Nut with an adjustable wrench or pliers. It may be necessary to re-adjust the elbow position by slightly loosening the Mounting Nut, adjusting to the desired location, then re-tightening the Mounting Nut.



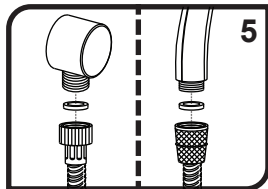
3

3) Connect water supply line (not provided) to the pipe nipple. Supply line will vary depending on the specific plumbing system installed on your boat. To properly connect to the elbow, supply line must be the North American 'STANDARD 1/2" FAUCET' (1/2" NPS*) connector with a washer in the female connector. Wrap the end of the pipe nipple with plumber's (Teflon) tape. Follow the appropriate steps depending on your water supply line. If you have a pre-assembled water supply hose with threaded swivel-nut connector, simply screw on supply hose. We do NOT suggest using sweat fittings as they are prone to blow-outs.



4

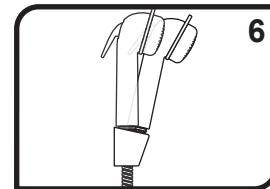
4) Mount Bulkhead Holder (2-Position) in the desired location with the two stainless steel screws provided. The top of the Holder is the side with the larger diameter opening.



5

5) Attach hose to the Bulkhead Elbow and 6-Function Sprayer. Make sure black rubber Washers are inside both hose fittings before attaching. Conical shaped fitting attached to the Sprayer, regular fitting attaches to the Bulkhead Elbow.

6) Set sprayer in Bulkhead Holder in either the vertical or angled position. Push down on the sprayer slightly to insure that it is resting securely in the holder. Turn the water supply on. While water is running, check all connections for leaks. Connections may need re-tightening.

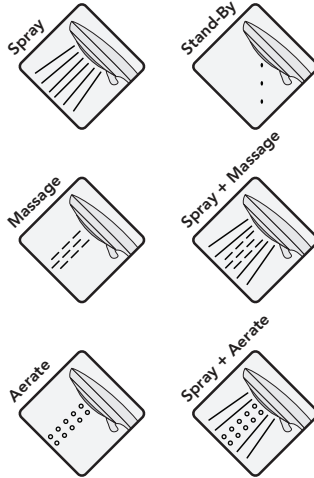
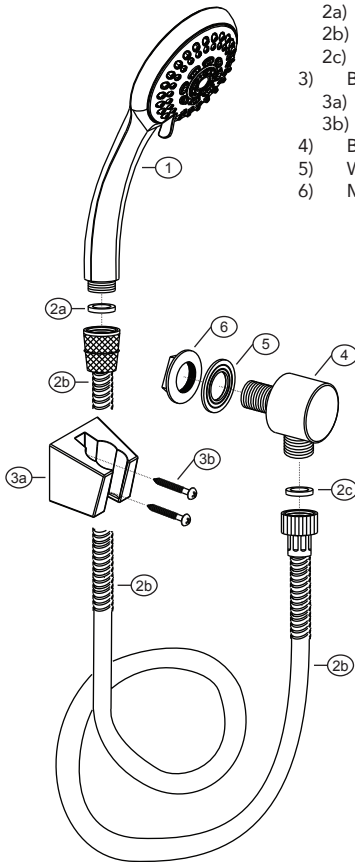


6

Parts

Design: Rev. G

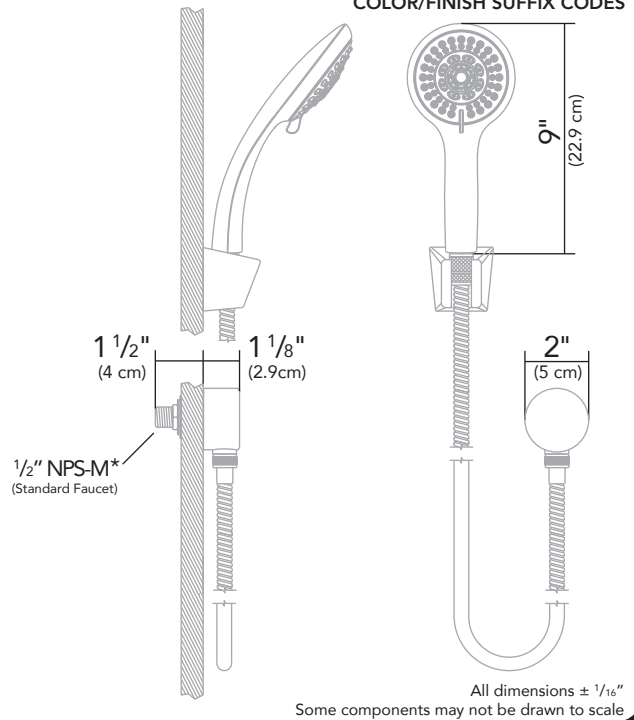
- 1) 6-Function Hand-Held Shower Sprayer
- 2) 6' Stainless Steel Hose Assembly
 - 2a) Washer
 - 2b) 6' Stainless Steel Hose
 - 2c) Washer
- 3) Bulkhead Holder (2-Position-Std. 1/2")
 - 3a) Holder (2-Position, Standard 1/2" Hose)
 - 3b) Mounting Screws
- 4) Bulkhead Elbow
- 5) Washer (Rubber)
- 6) Mounting Nut



NOTE: "STAND-BY" SETTING IT NOT A COMPLETE SHUT-OFF. IT WILL ALLOW A SMALL AMOUNT OF WATER TO CONTINUE TO TRICKLE OUT OF THE SPRAYER.

134-0003-

SEE REVERSE FOR AVAILABLE COLOR/FINISH SUFFIX CODES



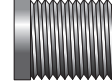
* Supply Connection(s) - Understanding NPS vs. NPT

NPS = National Pipe Straight

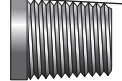
NPT = National Pipe Tapered

(-M = Male -F = Female)

Straight Threads (Male)



Tapered Threads (Male)



Plumbing fittings are commonly referred to as "NPT", however, in reality, nearly all FAUCETS are actually "NPS". NPS is the North American "STANDARD" for faucets, regardless of brand, style, application, etc. Outside North America, BSP is the most commonly used standard.

Both NPS and NPT have the same thread angle, shape, and pitch (threads per inch). However, NPS threads are straight (parallel) and NPT threads are tapered (reduced).

Straight Pipe thread is commonly found on faucets, showerheads, hose connections and fittings. Tapered Pipe thread is commonly found on pipe ends, nipples and fittings (i.e. couplings, elbows, tees, etc.). Straight Pipe threads need a gasket or o-ring to create a seal. Both styles require sealant or plumber's tape for optimal seal. While NPS and NPT threads will engage, they do not seal properly with each other.

PROPER FINISH CARE

Your new faucet or accessory is protected by a marine grade finish. To clean it, you only need to wipe it with a damp, soft cloth. NEVER use any abrasive cleaners, steel wool, or chemicals (including alcohol or ammonia), as they will harm the finish and void your warranty. If the item will be installed in a salt-air environment (boat exterior), regular cleaning with gentle soap and carnauba wax will prolong the life of the finish.

LIMITED WARRANTY

Ambassador Marine faucets and accessories are guaranteed to be free from material and workmanship defects under normal use and service for a period of five (5) years from the date of purchase. This warranty will not apply to faucets or accessories that were improperly installed, misapplied, or incompatible with components not manufactured by Ambassador. Faucet failures due to foreign debris is not covered under the terms of this limited warranty. Ambassador will not warrant any faucet or accessory that is physically damaged, or altered outside the Ambassador factory.

Returns are to be shipped postage prepaid to Ambassador Marine's service center at: Ambassador Marine, 1173 Calle Suerte, Camarillo, CA 93012. A Return Authorization Number is required and must be clearly visible on the shipping carton.

Absolutely no credit or payment will be allowed for consumers on any item deemed defective. Ambassador Marine's obligation is limited to the repair or replacement of the defective item only, at Ambassador Marine's sole discretion. All returns will be examined and/or tested under Ambassador Marine test criteria. Replacements will be shipped freight prepaid.

This limited warranty is in lieu of all other warranties, expressed or implied, and no other person is authorized to give any other warranty or assume obligation or liability on Ambassador Marine's behalf. Ambassador Marine shall not be liable for any labor, damages, or other expenses, nor shall Ambassador Marine be liable for any indirect, incidental or consequential damages of any kind incurred by the use or sale of any defective product.

This limited warranty covers Marine Products sold or distributed in the United States and Canada only. Customers who purchase Ambassador Marine products sold by distributors in other countries must consult their local distributors for their warranty policy. **This warranty is only a representation of the complete Ambassador Marine warranty outlined on the Ambassador Marine website and/or catalog.**

Ambassador
MARINE

1173 Calle Suerte • Camarillo, CA 93012
800.270.4262 • 805.482.0053 • Fax 805.482.0056
www.ambassadormarine.com • info@ambassadormarine.com

Visit our web site at www.ambassadormarine.com

Ambassador Marine reserves the right to update specifications, change prices, or make substitutions without notice.

Rev. 11/22
© 2022 Ambassador Marine, Inc., All Rights Reserved