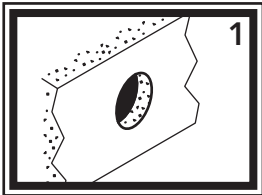
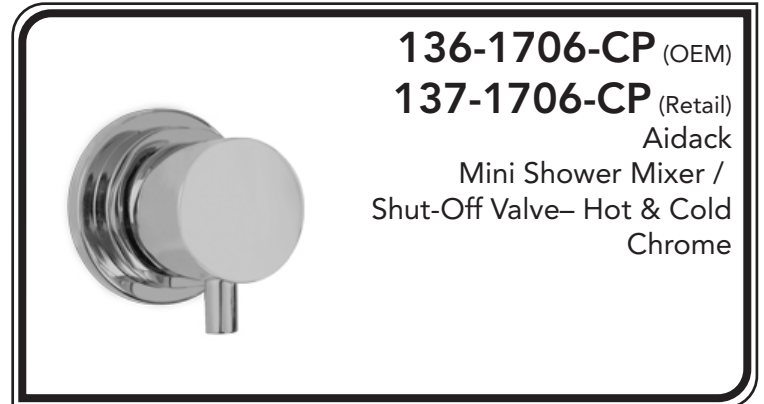


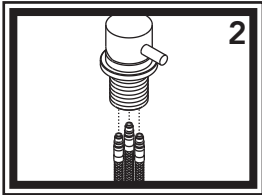
INSTALLATION INSTRUCTIONS

Thank you for choosing Ambassador Marine.

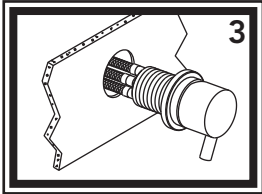
Your new Ambassador Marine faucet, sprayer, shower or accessory will give you years of trouble-free performance. Please read these instructions carefully before installing your new item. If you have any additional questions about the installation of this product, please feel free to contact one of our friendly customer service representatives at 800.270.4262.



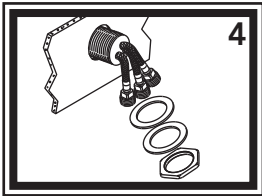
1) Check desired position to make sure there is enough room inside the wall for the valve body, connector hoses and connections. Drill a 1 1/4" to 1 3/8" diameter hole (standard size) in the desired location.



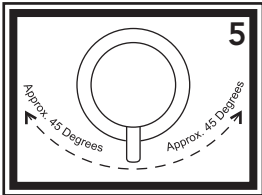
2) If the lock nut, metal and rubber washers are already on the valve body, unscrew the lock nut and slide the washers off the back of the valve body. Screw the connector hoses into the back of the valve body. Screw the red hose into the right hole (hot inlet), one of the blue hoses into the left hole (cold inlet) and the second blue hose into the center hole (outlet) on the back of the valve body, when looking at the valve body from the back. It is not necessary to use Teflon (plumber's) tape when screwing the hoses into the valve body, as the o-rings on the tips of the hoses will form a seal.



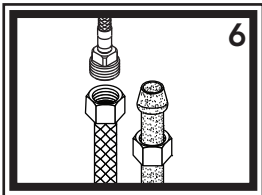
3) Slide the valve body with the three hoses attached into the hole in the wall.



4) From the back side of the wall, slide the rubber washer, the metal washer, then the lock nut up over the connector hoses and onto the valve body. Loosely tighten the lock nut.



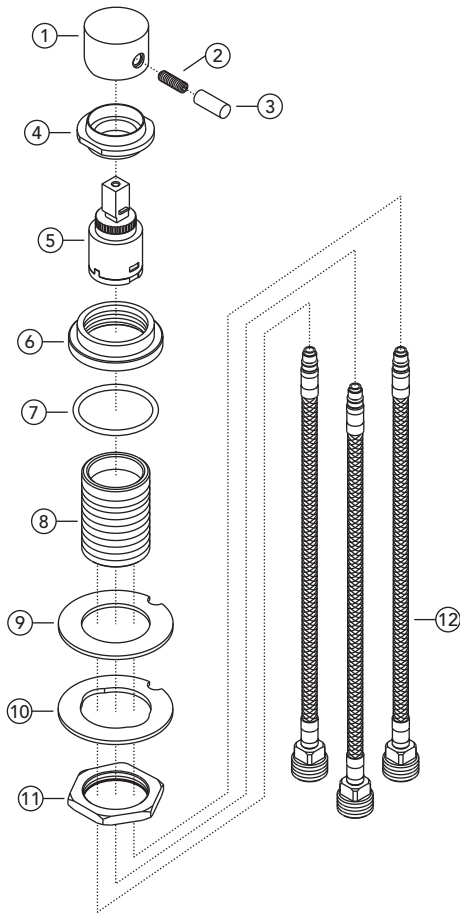
5) From the front side of the wall, ensure that when the handle is in the off position (straight down) it is centered between the hot and cold side-to-side rotation. Once centered, firmly tighten the lock nut against the back side of the wall to secure.



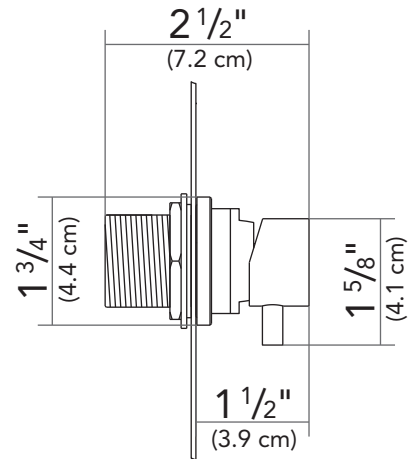
6) Connect hot and cold water supplies to the 1/2" NPS-Male connector hose fittings. Hot supply will connect to the red hose, cold supply will connect to the blue hose in the left hole on the back of the valve body, when looking at the valve body from the back. Connect water line from the shower head or bulkhead elbow (not included) to the second blue hose connected to the center (outlet) port. Connection procedure may vary depending on the specific plumbing system installed on your boat. Wrap the 1/2" NPS-Male connector hose fittings with Teflon (plumber's) tape if your connectors do not include cone-washers.

7) After installation is complete, turn the water supply back on and allow both hot and cold water to run for at least one full minute. While water is running, check all connections for leaks. Connections may need re-tightening.

Parts



- 1) Aidack Handle Canopy
- 2) Handle Set Screw
- 3) Aidack Handle Tip
- 4) Cap
- 5) Ceramic Disc Cartridge
- 6) Escutcheon
- 7) Gasket
- 8) Valve Body
- 9) Rubber Washer
- 10) Metal Washer
- 11) Lock Nut
- 12) Connector Hoses



PROPER FINISH CARE

Your new faucet or accessory is protected by a clear-coat. To clean it, you only need to wipe it with a damp, soft cloth. NEVER use any abrasive cleaners, steel wool, or chemicals (including alcohol or ammonia), as they will harm the finish and void your warranty. If the item will be installed in a salt-air environment (boat exterior), regular cleaning with gentle soap and carnauba wax will prolong the life of the finish.

Visit our Web Site at <http://www.ambassadormarine.com>
Ambassador Marine reserves the right to update specifications,
change prices, or make substitutions without notice.

LIMITED WARRANTY

Ambassador Marine faucets and accessories are guaranteed to be free from material and workmanship defects under normal use and service for a period of five (5) years from the date of purchase. This warranty will not apply to faucets or accessories that were improperly installed, misapplied, or incompatible with components not manufactured by Ambassador. Faucet failures due to foreign debris is not covered under the terms of this limited warranty. Ambassador will not warrant any faucet or accessory that is physically damaged, or altered outside the Ambassador factory.

Returns are to be shipped postage prepaid to Ambassador Marine's service center at:
1173 Calle Suerte, Camarillo, CA 93012.

A Return Authorization Number is required and must be clearly visible on the the shipping carton.

Absolutely no credit or payment will be allowed for consumers on any item deemed defective. Ambassador Marine's obligation is limited to the repair or replacement of the defective item only, at Ambassador Marine's sole discretion. All returns will be examined and/or tested under Ambassador Marine test criteria. Replacements will be shipped freight prepaid.

This limited warranty is in lieu of all other warranties, expressed or implied, and no other person is authorized to give any other warranty or assume obligation or liability on Ambassador Marine's behalf. Ambassador Marine shall not be liable for any labor, damages, or other expenses, nor shall Ambassador Marine be liable for any indirect, incidental or consequential damages of any kind incurred by the use or sale of any defective product.

This limited warranty covers Marine Products sold or distributed in the United States and Canada only. Customers who purchase Ambassador Marine products sold by distributors in other countries must consult their local distributors for their warranty policy. This warranty is only a representation of the complete Ambassador Marine warranty outlined on the Ambassador Marine website and/or catalog.