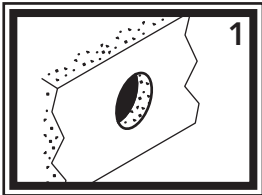
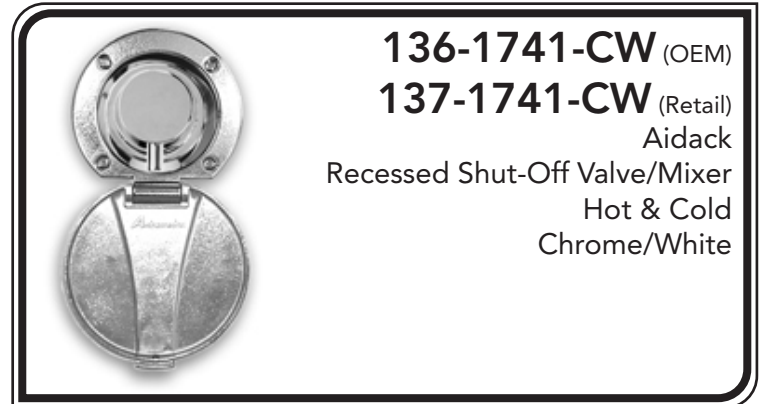


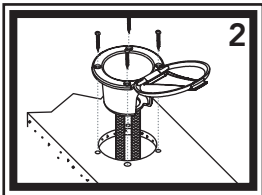
INSTALLATION INSTRUCTIONS

Thank you for choosing Ambassador Marine.

Your new Ambassador Marine faucet, sprayer, shower or accessory will give you years of trouble-free performance. Please read these instructions carefully before installing your new item. If you have any additional questions about the installation of this product, please feel free to contact one of our friendly customer service representatives at 800.270.4262.

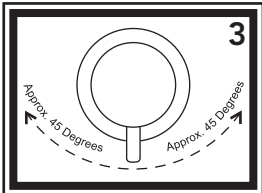


1) Check desired position to make sure there is enough room for the connector and supply hose to gather under the deck or inside the wall without getting kinked. Drill 2 7/8" to 3" hole in the desired location.



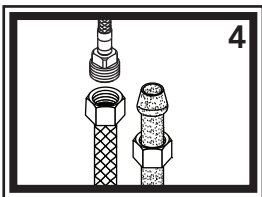
2) Place the recessed cup and lid with shut-off valve/mixer into the hole.

Wall Mount— Place into the hole with the hinge pointing DOWN. This will allow the lid to fall out of the way of the mixer when in use. Secure recessed cup and lid using the provided four (4) screws.

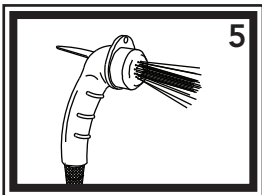


Deck Mount— Place into the hole with the hinge pointing in the desired direction for the lid to easily lay open when in use. Secure recessed cup and lid using the provided four (4) screws.

3) From the front side of the wall, ensure that when the handle is in the off position (straight down) it is centered between the hot and cold side-to-side rotation. If not, slightly loosen the lock nut on the back of the recessed cup, reposition and retighten lock nut.

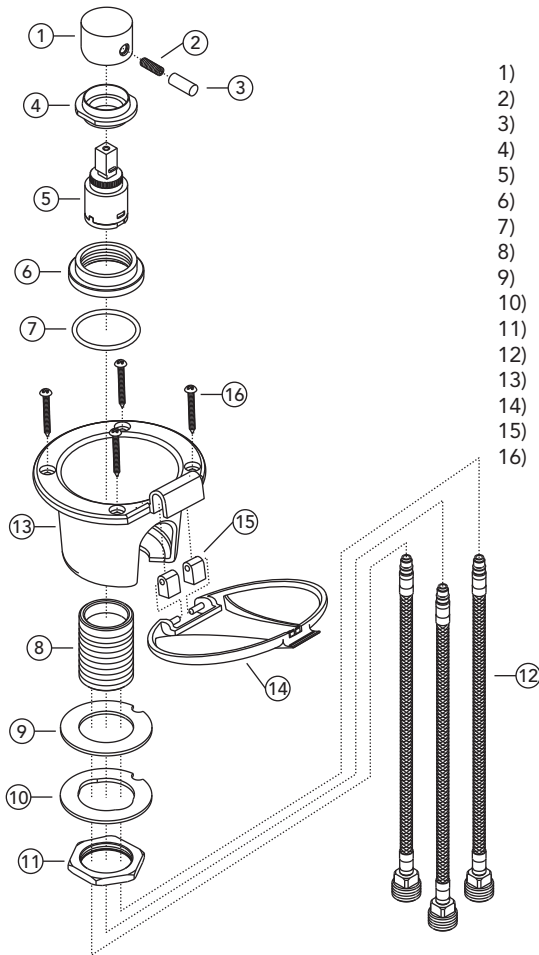


4) Connect hot and cold water supplies to the 1/2" NPS-Male connector hose fittings. Hot supply will connect to the red hose, cold supply will connect to the blue hose in the left hole on the back of the valve body, when looking at the valve body from the back. Connect water line from the shower head or bulkhead elbow (not included) to the second blue hose connected to the center (outlet) port. Connection procedure may vary depending on the specific plumbing system installed on your boat. Wrap the 1/2" NPS-Male connector hose fittings with Teflon (plumber's) tape if your connectors do not include cone-washers.

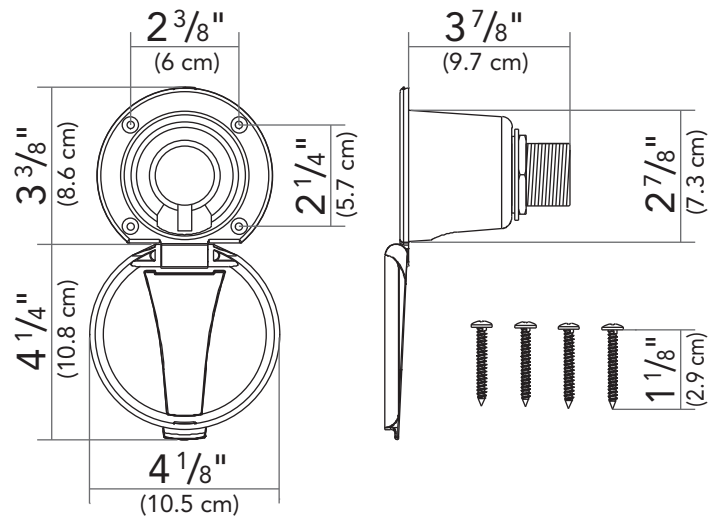


5) After installation is complete, turn the water supply back on and allow both hot and cold water to run for at least one full minute. While water is running, check all connections for leaks. Connections may need re-tightening.

Parts



- 1) Aidack Handle Canopy
- 2) Handle Set Screw
- 3) Aidack Handle Tip
- 4) Cap
- 5) Ceramic Disc Cartridge
- 6) Escutcheon
- 7) Gasket
- 8) Valve Body
- 9) Rubber Washer
- 10) Metal Washer
- 11) Lock Nut
- 12) Connector Hoses (2x Blue, 1x Red)
- 13) White Plastic Recessed Cup
- 14) Lid (Stainless Steel)
- 15) Hinge Inserts (2x)
- 16) Mounting Screws (4x)



PROPER FINISH CARE

Your new faucet or accessory is protected by a clear-coat. To clean it, you only need to wipe it with a damp, soft cloth. NEVER use any abrasive cleaners, steel wool, or chemicals (including alcohol or ammonia), as they will harm the finish and void your warranty. If the item will be installed in a salt-air environment (boat exterior), regular cleaning with gentle soap and carnauba wax will prolong the life of the finish.

Visit our web site at www.ambassadormarine.com

Ambassador Marine reserves the right to update specifications, change prices, or make substitutions without notice.

LIMITED WARRANTY

Ambassador Marine faucets and accessories are guaranteed to be free from material and workmanship defects under normal use and service for a period of five (5) years from the date of purchase. This warranty will not apply to faucets or accessories that were improperly installed, misapplied, or incompatible with components not manufactured by Ambassador. Faucet failures due to foreign debris is not covered under the terms of this limited warranty. Ambassador will not warrant any faucet or accessory that is physically damaged, or altered outside the Ambassador factory.

Returns are to be shipped postage prepaid to Ambassador Marine's service center at: 1173 Calle Suerte, Camarillo, CA 93012.

A Return Authorization Number is required and must be clearly visible on the the shipping carton.

Absolutely no credit or payment will be allowed for consumers on any item deemed defective. Ambassador Marine's obligation is limited to the repair or replacement of the defective item only, at Ambassador Marine's sole discretion. All returns will be examined and/or tested under Ambassador Marine test criteria. Replacements will be shipped freight prepaid.

This limited warranty is in lieu of all other warranties, expressed or implied, and no other person is authorized to give any other warranty or assume obligation or liability on Ambassador Marine's behalf. Ambassador Marine shall not be liable for any labor, damages, or other expenses, nor shall Ambassador Marine be liable for any indirect, incidental or consequential damages of any kind incurred by the use or sale of any defective product.

This limited warranty covers Marine Products sold or distributed in the United States and Canada only. Customers who purchase Ambassador Marine products sold by distributors in other countries must consult their local distributors for their warranty policy. This warranty is only a representation of the complete Ambassador Marine warranty outlined on the Ambassador Marine website and/or catalog.