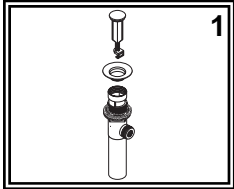


# SHURflo<sup>®</sup> Marine Grade Faucets

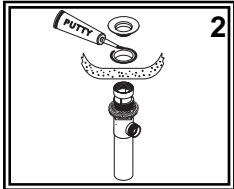
## INSTALLATION INSTRUCTIONS

### OEM Version

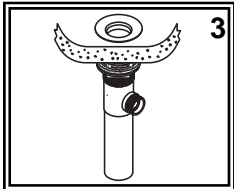
**Attention Manufacturers:**  
Please include this Installation  
Instruction sheet with your Owner's  
Documentation.



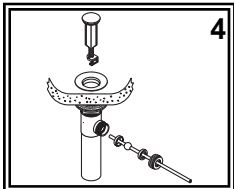
(1) Unscrew flange from drain body. Leave large black washer, white friction ring and locknut on drain body.



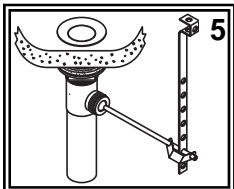
(2) Place a ring of putty around the drain hole in your sink. Insert the threaded end of the drain body up through the drain hole and attach the flange to the body, with the pivot ball nut pointing to the rear of the sink.



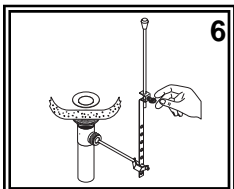
(3) Tighten the locknut from under the sink until the black rubber washer seats securely inside the sink drain hole. Wipe away excess putty. Tighten brass locknut with a wrench.



(4) Set the drain plunger in place (see "Drain Plunger" below). Unscrew the pivot ball nut from the pop-up body and remove the spring clip from the pivot ball rod. Leave the white packing ring on and slide the ball nut onto the rod covering the white packing ring. Insert the rod into the hole on the back of the pop-up body. Slide the ball nut in place and tighten securely.



(5) Slide one end of the spring clip onto the end of the pivot rod. Insert the pivot rod into one of the lower holes in the lift rod strap. Secure other end of spring clip onto pivot rod.



(6) Slide lift rod down through the hole in faucet. Insert bottom of lift rod into hole on the top of the lift rod strap (see "Adjusting The Lift Rod" below). Tighten with thumb screw.

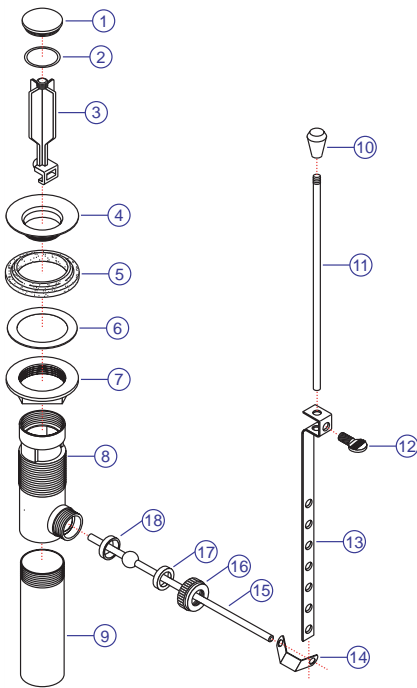
#### ***Adjusting The Lift Rod***

Adjust lift rod function by adjusting the height of the thumb screw along the lift rod (step 6) or by changing the hole that the pivot rod goes through on the lift rod strap (step 5). Be sure to leave enough space between the lift rod knob and the faucet spout when the rod is down.

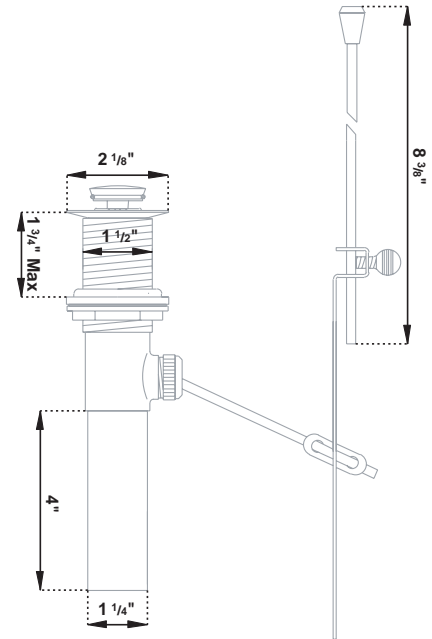
#### ***Drain Plunger***

There is a small square cutout at the bottom of the drain plunger. That square needs to go down the front of the drain body (opposite side from the pivot ball nut). The pivot rod passes through that square to lock the drain plunger in and form a tight seal when drain is closed.

**Parts**



- 1) Stopper
- 2) O-Ring
- 3) Plunger
- 4) Flange
- 5) Black Washer
- 6) Friction Ring
- 7) Lock Nut
- 8) Body
- 9) Tail Pipe
- 10) Lift-Rod Knob
- 11) Lift-Rod
- 12) Thumb Screw
- 13) Lift-Rod Strap
- 14) Spring Clip
- 15) Pivot Rod
- 16) Pivot Ball Nut
- 17) Packing Ring
- 18) Packing Ring



**PROPER FINISH CARE:**

Your new faucet is protected by a clear-coat. To clean it, you only need to wipe it with a damp, soft cloth. NEVER use any abrasive cleaners, steel wool, or chemicals, as they will harm the finish and void your warranty. If the faucet will be installed in a salt-air environment (boat exterior), regular cleaning with gentle soap and carnauba wax will prolong the life of the finish.

**LIMITED WARRANTY**

SHURflo Marine Grade Faucets & Accessories are guaranteed to be free from material and workmanship defects under normal use and service for a period of three (3) years from the date of manufactured vessel for all indoor applications and two (2) years from the date of manufactured vessel for all outdoor applications. This limited warranty will not apply to faucets or accessories that were improperly installed, misapplied, or incompatible with components not manufactured by SHURflo. Faucet failure due to foreign debris is not covered under the terms of this limited warranty. SHURflo will not warrant any faucet that is physically damaged, or altered outside the SHURflo factory. Warranty claims may be resolved by a SHURflo service center. All returns are to be shipped with charges pre-paid. Package all returns carefully. SHURflo will not be responsible for freight damage incurred during shipping to a service center. SHURflo's obligation under this warranty policy is limited to the repair or replacement of the faucets & accessories. Faucets or accessories found not defective (under the terms of this limited warranty) are subject to charges to be paid by the returnee for the testing and packaging of "tested good" units. Warranty returns will be shipped on a freight allowed basis. SHURflo reserves the right to choose the method of transportation. SHURflo is not responsible nor will it reimburse for labor necessary to remove and reinstall a faucet or accessory, if found defective. This warranty is only a representation of the complete Marine Products Limited Warranty outlined by Service Bulletin #1050.

★ SHURflo reserves the right to update specifications, prices, or make substitutions.



**SHURflo\***  
5900-A Katella Ave.  
Cypress, CA 90630  
(562) 795-5200 (800) 854-3218  
FAX (562) 795-7564  
**Shipping:** 5900-C Katella Ave.  
Cypress, CA 90630

**SHURflo East**  
52748 Park Six Court  
Elkhart, IN 46514-5427  
(574) 262-0478 (800) 762-8094  
FAX (574) 264-2169  
<http://www.shurflo.com>

**SHURflo Ltd.\***  
Unit 5 Sterling Park  
Gatwick Road, Crawley  
West Sussex, RH10 2QT  
United Kingdom  
+44 1293 424000  
FAX +44 1293 421880

