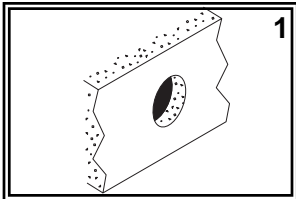


# SHURflo<sup>®</sup> Marine Grade Faucets

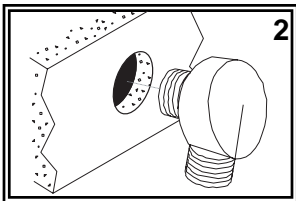
## INSTALLATION INSTRUCTIONS

### OEM Version

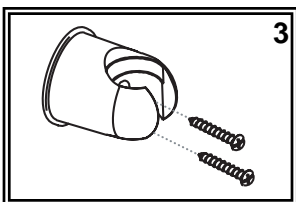
**Attention Manufacturers:**  
Please include this Installation  
Instruction sheet with your Owner's  
Documentation.



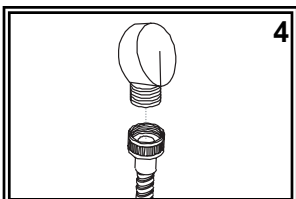
- (1) Hold elbow and bulkhead bracket on the wall where desired. Make sure to leave enough room for your hose to hang freely and extend into the shower. Mark locations on the wall with a pencil. Drill 1" hole in the bulkhead in the desired location for the elbow and 1/8" starter holes for the bulkhead bracket screws.



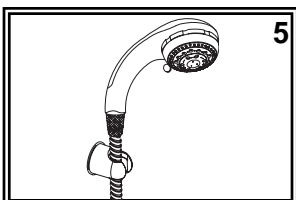
- (2) Slide elbow into hole in the bulkhead. From the back side of the wall attach water source to the 1/2" NPT-Male inlet tube of the elbow.



- (3) Mount bulkhead bracket with the two stainless steel screws provided. The top of the bracket is the side with the larger diameter opening.

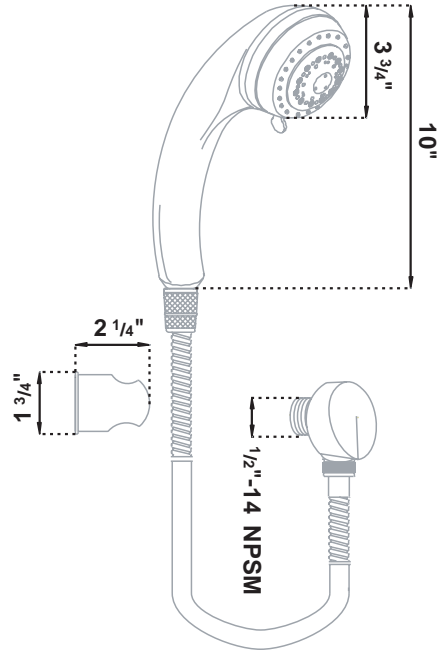
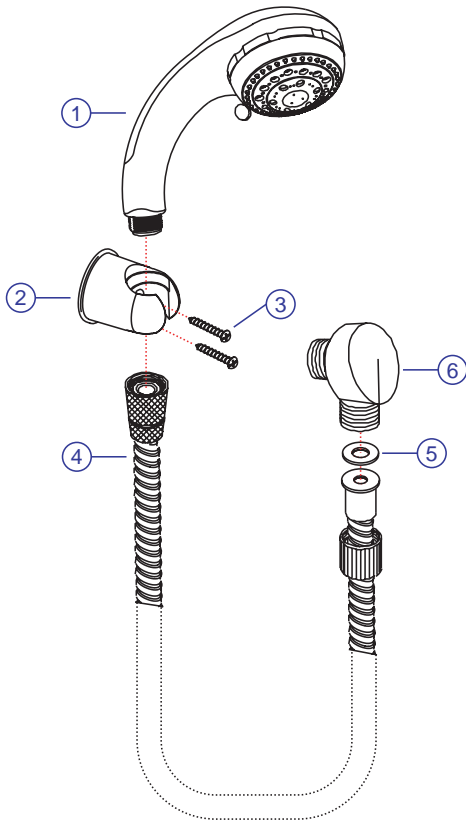


- (5) Set sprayer in bulkhead bracket. Push down on the sprayer slightly to insure that it is resting securely in the bracket.



**Parts**

- 1) Sprayer Head
- 2) Bulkhead Bracket
- 3) Bracket Screws
- 4) 72" Stainless Steel Hose
- 5) Washer
- 6) Elbow



**PROPER FINISH CARE:**

Your new accessory is protected by a clear-coat. To clean it, you only need to wipe it with a damp, soft cloth. **NEVER** use any abrasive cleaners, steel wool, or chemicals, as they will harm the finish and void your warranty. If the accessory will be installed in a salt-air environment (boat exterior), regular cleaning with gentle soap and carnauba wax will prolong the life of the finish.

**LIMITED WARRANTY**

SHURflo Marine Grade Faucets & Accessories are guaranteed to be free from material and workmanship defects under normal use and service for a period of three (3) years from the date of manufactured vessel for all indoor applications and two (2) years from the date of manufactured vessel for all outdoor applications. This limited warranty will not apply to faucets or accessories that were improperly installed, misapplied, or incompatible with components not manufactured by SHURflo. Faucet failure due to foreign debris is not covered under the terms of this limited warranty. SHURflo will not warrant any faucet that is physically damaged, or altered outside the SHURflo factory. Warranty claims may be resolved by a SHURflo service center. All returns are to be shipped with charges pre-paid. Package all returns carefully. SHURflo will not be responsible for freight damage incurred during shipping to a service center. SHURflo's obligation under this warranty policy is limited to the repair or replacement of the faucets & accessories. Faucets or accessories found not defective (under the terms of this limited warranty) are subject to charges to be paid by the returnee for the testing and packaging of "tested good" units. Warranty returns will be shipped on a freight allowed basis. SHURflo reserves the right to choose the method of transportation. SHURflo is not responsible nor will it reimburse for labor necessary to remove and reinstall a faucet or accessory, if found defective. This warranty is only a representation of the complete Marine Products Limited Warranty outlined by Service Bulletin #1050.

★ SHURflo reserves the right to update specifications, prices, or make substitutions.



**SHURflo\***  
 5900-A Katella Ave.  
 Cypress, CA 90630  
 (562) 795-5200 (800) 854-3218  
 FAX (562) 795-7564  
**Shipping:** 5900-C Katella Ave.  
 Cypress, CA 90630

**SHURflo East**  
 52748 Park Six Court  
 Elkhart, IN 46514-5427  
 (574) 262-0478 (800) 762-8094  
 FAX (574) 264-2169  
<http://www.shurflo.com>

**SHURflo Ltd.\***  
 Unit 5 Sterling Park  
 Gatwick Road, Crawley  
 West Sussex, RH10 2QT  
 United Kingdom  
 +44 1293 424000  
 FAX +44 1293 421880

