

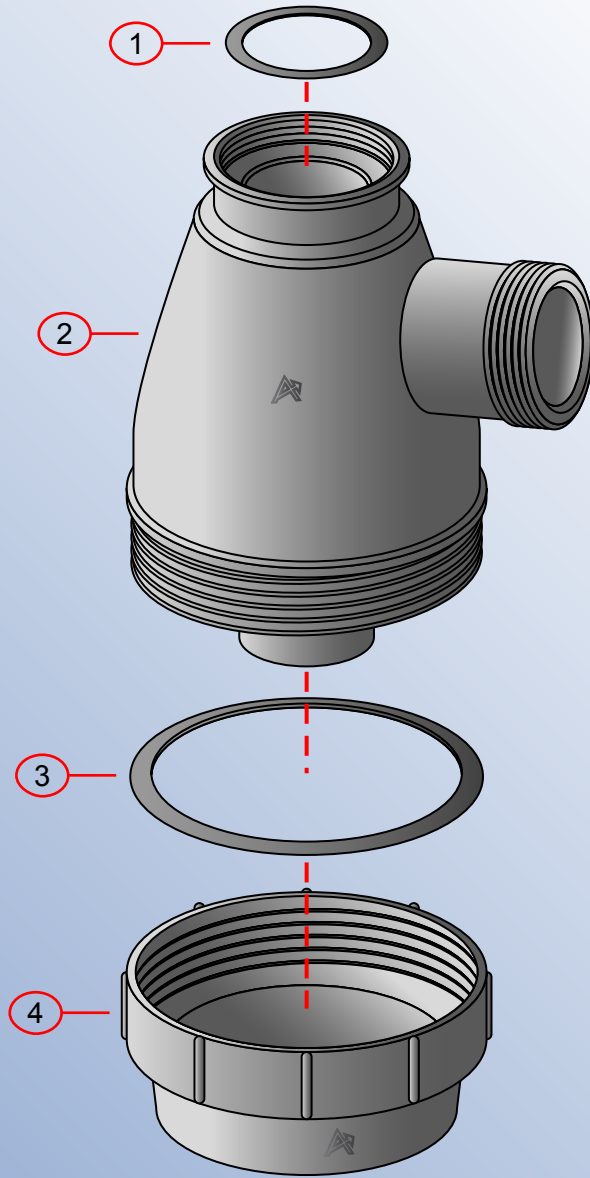
Rev. Change	
A	Original
B	
C	
D	

# S00-0016-PL

formerly Ambassador Marine  
 5900 Katella Ave., Cypress, CA 90630  
 800.854.3218 • 562.795.5200 • Fax 562.795.7564  
 www.shurflo.com



Stopper	N/A	Package Style	Poly Bag	Model #	<b>S00-0016-PL</b>
Connection	1 1/4" -M Thread	Drain Series	Trap Sink Drain	Drain Type	Trap
Drain Size	N/A	Modified/Approved	SS - 5/7/08		



NOT DRAWN TO SCALE

