

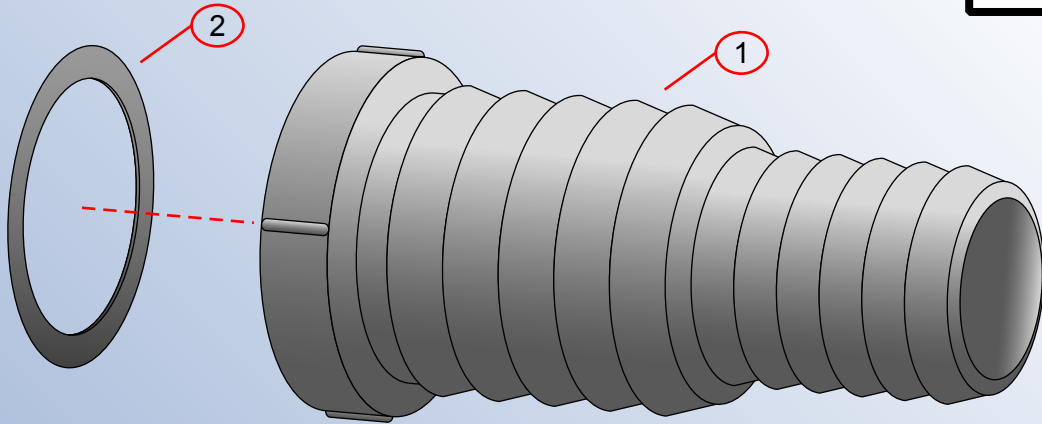
Rev. Change	
A	Original
B	
C	
D	

S00-0021-PL

formerly Ambassador Marine
 5900 Katella Ave., Cypress, CA 90630
 800.854.3218 • 562.795.5200 • Fax 562.795.7564
www.shurflo.com



Stopper	N/A	Package Style	Poly Bag	Model #	S00-0021-PL
Connection	1 1/4"-F Thread to 1 1/4" & 1 1/2" Hose	Drain Series	Adapter	Drain Type	Straight Hose Barb
Drain Size	N/A	Modified/Approved	SS - 11/27/07		



NOT DRAWN TO SCALE

