

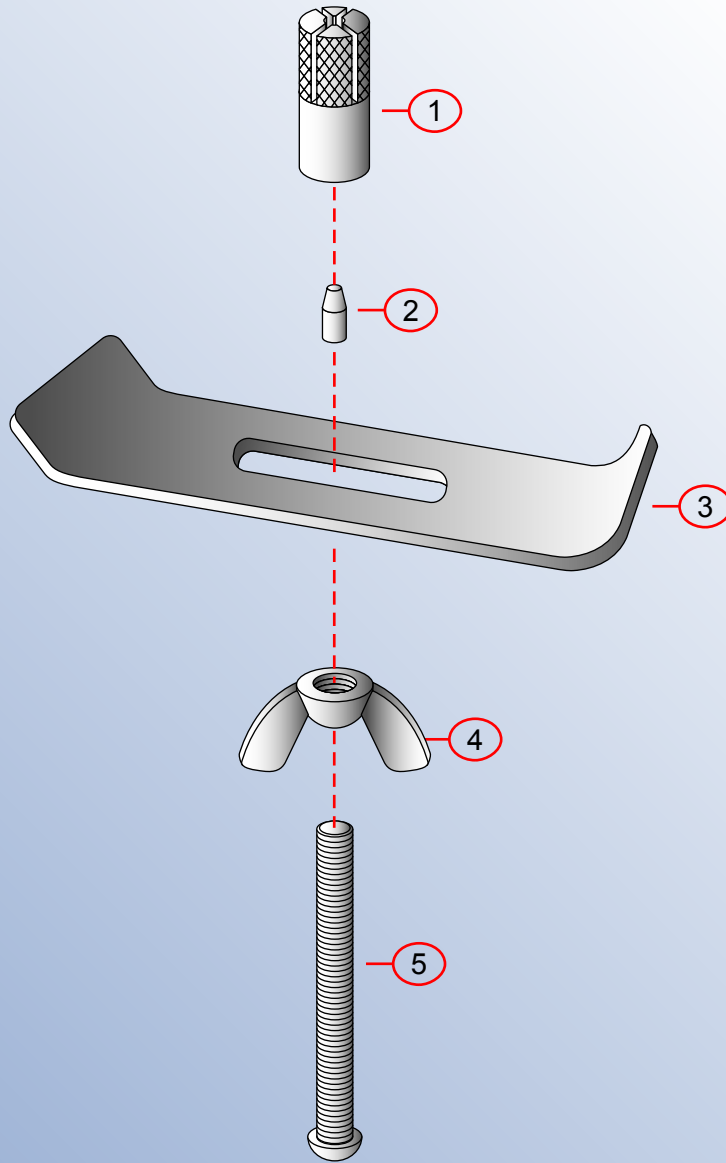
Rev. Change	
A	Original
B	
C	
D	

S00-0040-SS

formerly Ambassador Marine
 5900 Katella Ave., Cypress, CA 90630
 800.854.3218 • 562.795.5200 • Fax 562.795.7564
 www.shurflo.com



Stopper	N/A	Package Style	Poly Bag	Model #	S00-0040-SS
Connection	N/A	Connection	N/A	Drain Series	Bracket
Drain Size	N/A	Modified/Approved	SS - 11/27/07	Drain Type	Under-Mount Sink Bracket



NOT DRAWN TO SCALE

