

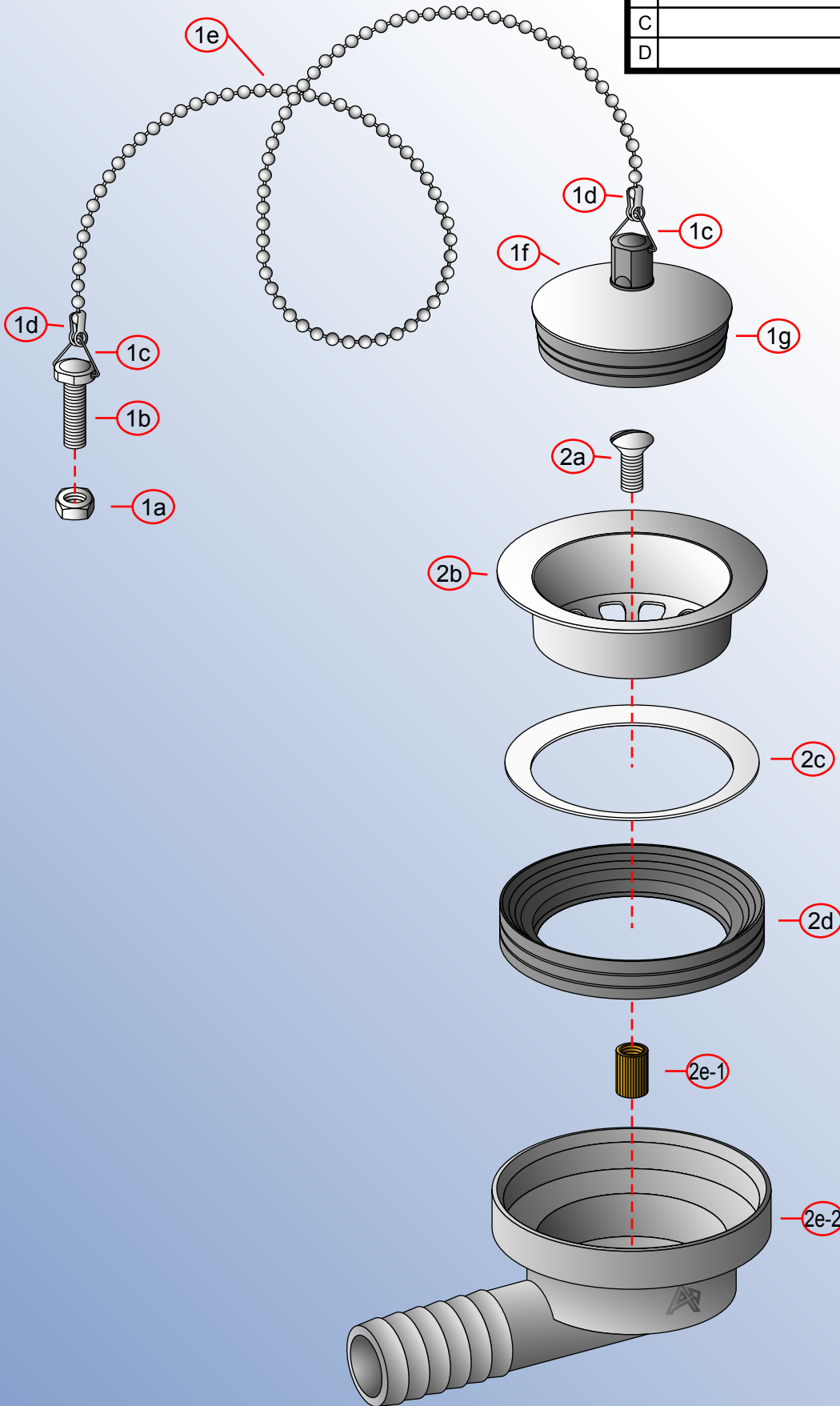
	Rev. Change
A	Original
B	
C	
D	

S00-0101-xx

formerly Ambassador Marine
 5900 Katella Ave., Cypress, CA 90630
 800.854.3218 • 562.795.5200 • Fax 562.795.7564
 www.shurflo.com



Stopper	Package Style	Model #
Chain Stopper	Poly Bag	S00-0101-xx
Connection	1" Hose Barb	Drain Series
Drain Size	Modified/Approved	Drain Type
2" (Fits: 2 1/16" Hole)	SS - 10/02/08	90° Sink Drain
		Low Profile



NOT DRAWN TO SCALE

