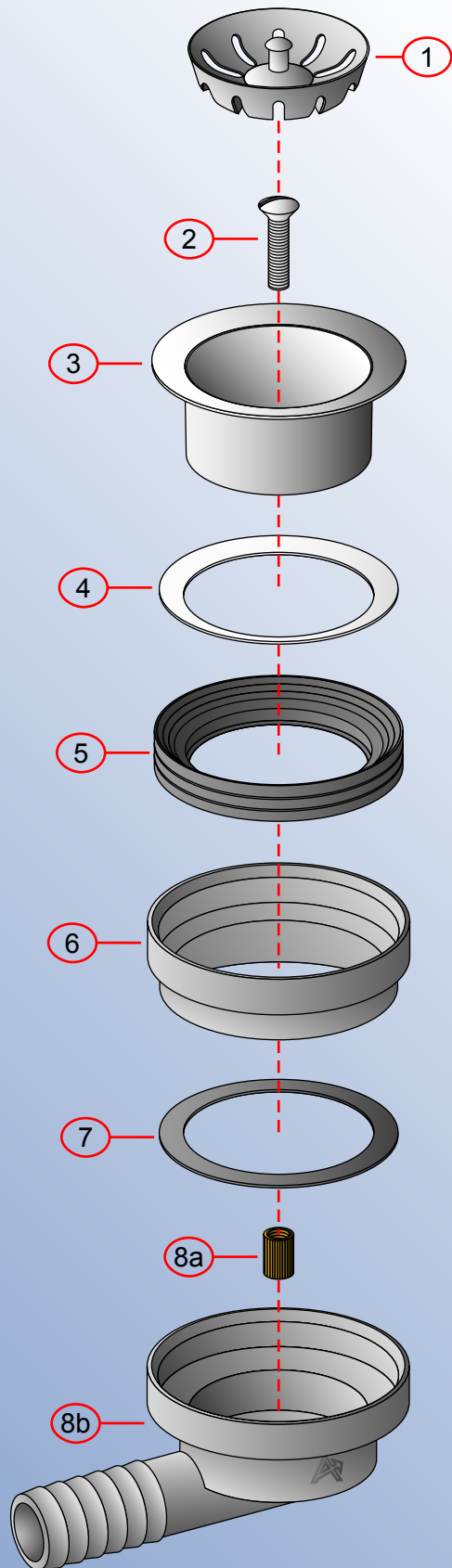


Rev. Change	
A	Original
B	
C	
D	



S00-1002-xx

formerly Ambassador Marine
 5900 Katella Ave., Cypress, CA 90630
 800.854.3218 • 562.795.5200 • Fax 562.795.7564
 www.shurflo.com



Stopper	N/A	Package Style	Poly Bag	Model #	S00-1002-xx
Connection	1" Hose Barb	Drain Series	90° Sink Drain	Drain Type	Low Profile w/Strainer
Drain Size	2" (Fits: 2 1/16" Hole)	Modified/Approved	SS - 10/02/08		

NOT DRAWN TO SCALE

