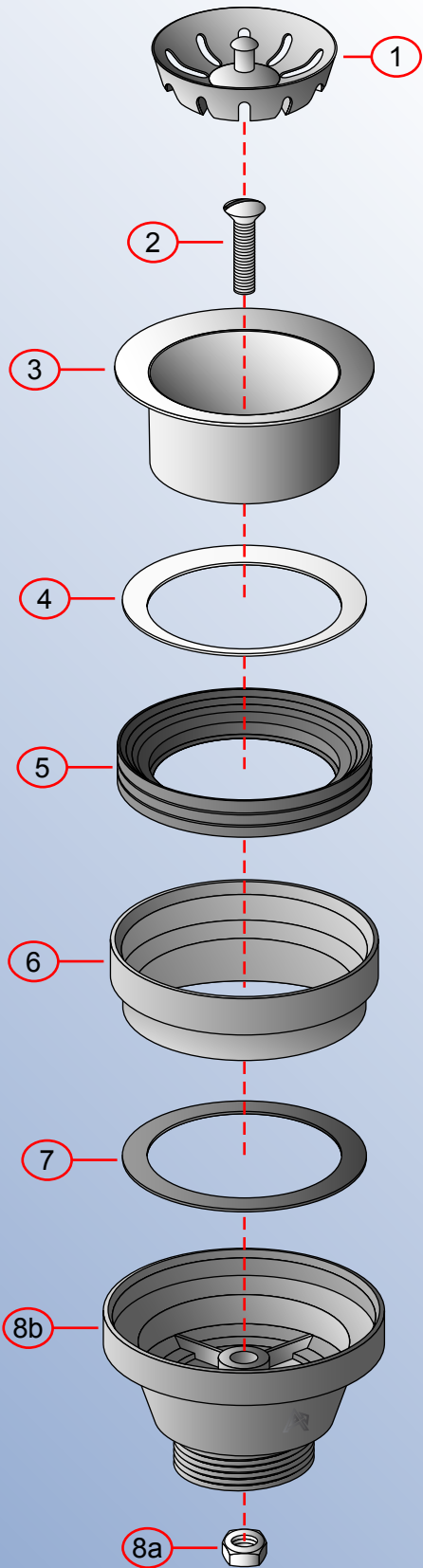


	Rev. Change
A	Original
B	
C	
D	



# S00-1004-xx

formerly Ambassador Marine  
 5900 Katella Ave., Cypress, CA 90630  
 800.854.3218 • 562.795.5200 • Fax 562.795.7564  
 www.shurflo.com



Stopper	N/A	Package Style	Poly Bag	Model #	<b>S00-1004-xx</b>
Connection	1 1/4" -M Thread			Drain Series	Straight Sink Drain
Drain Size	2" (Fits: 2 1/16" Hole)	Modified/Approved	SS - 10/02/08	Drain Type	Low Profile w/Strainer

NOT DRAWN TO SCALE

