

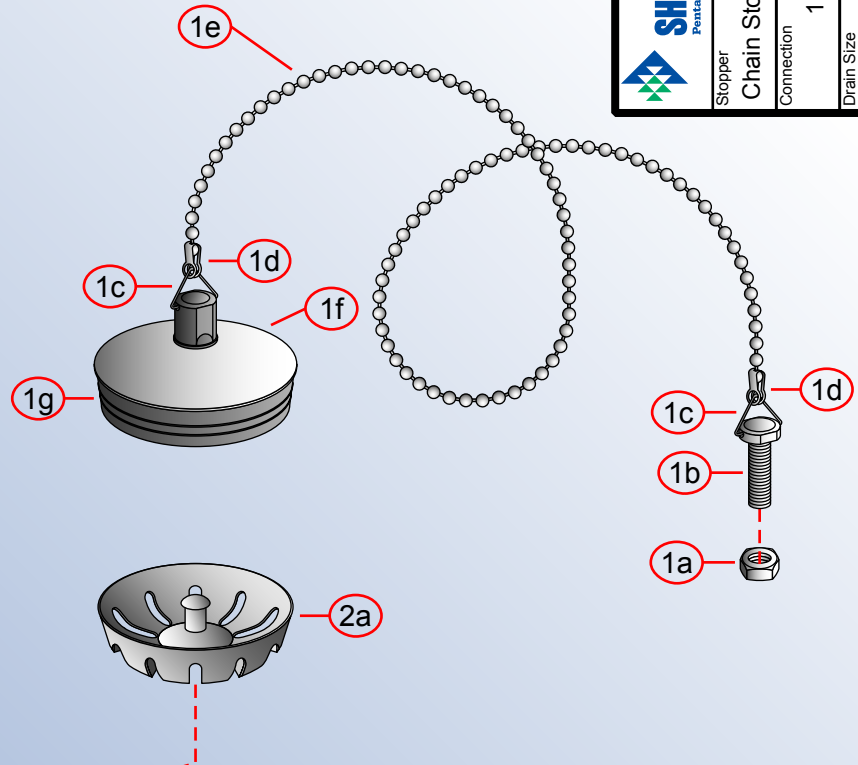
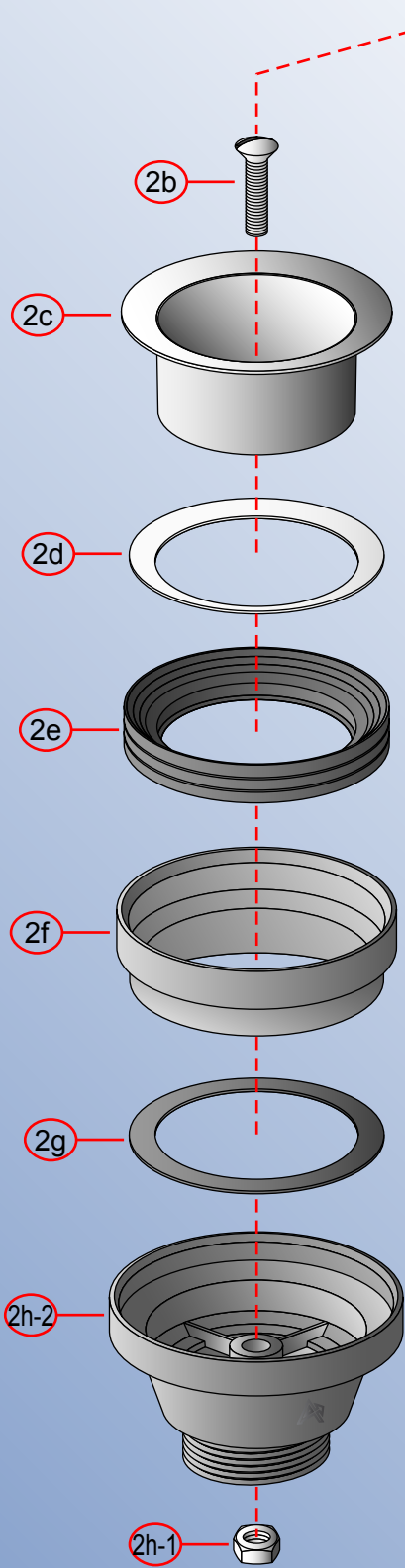
	Rev. Change
A	Original
B	
C	
D	

S00-1104-xx

formerly Ambassador Marine
 5900 Kaitella Ave., Cypress, CA 90630
 800.854.3218 • 562.795.5200 • Fax 562.795.7564
 www.shurflo.com



Stopper	Package Style	Model #
Chain Stopper	Poly Bag	S00-1104-xx
Connection	1 1/4" -M Thread	Drain Series
Drain Size	Modified/Approved	Straight Sink Drain
2" (Fits: 2 1/16" Hole)	SS - 10/16/08	Drain Type
		Low Profile w/Strainer



NOT DRAWN TO SCALE

