

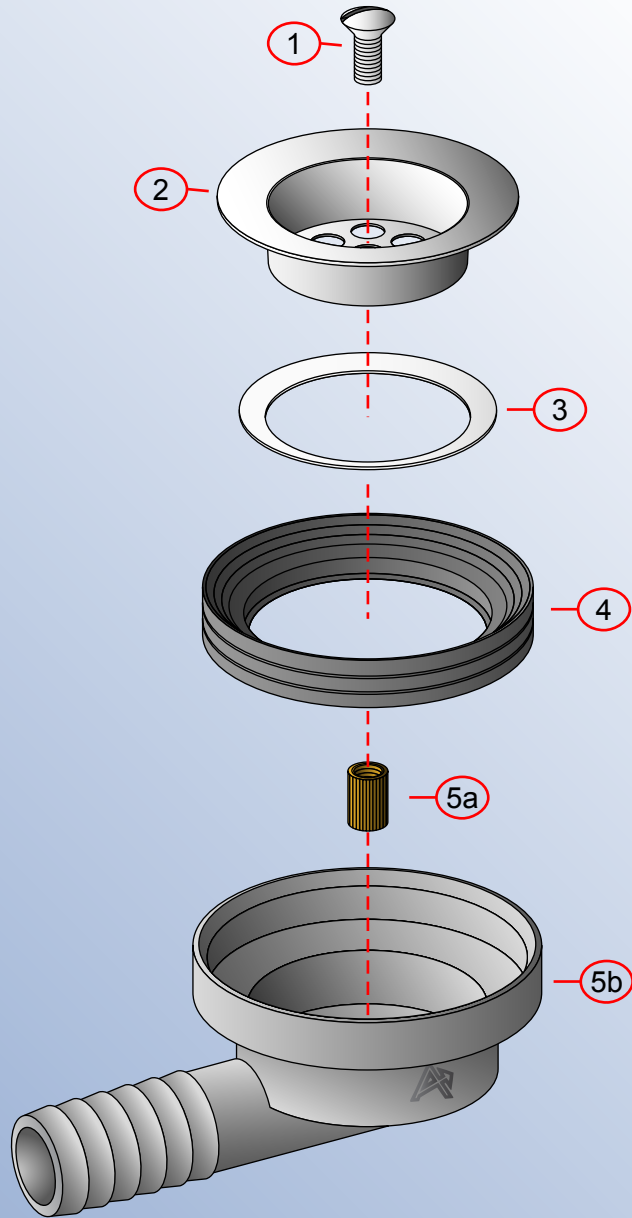
Rev. Change	
A	Original
B	
C	
D	

S01-0001-xx

formerly Ambassador Marine
 5900 Katella Ave., Cypress, CA 90630
 800.854.3218 • 562.795.5200 • Fax 562.795.7564
 www.shurflo.com



Stopper	N/A	Package Style	Poly Bag	Model #	S01-0001-xx
Connection	1" Hose Barb	Drain Series	90° Sink Drain	Drain Type	Low Profile
Drain Size	1 1/2" (Fits: 1 3/4" Hole)	Modified/Approved	SS - 10/16/08		



NOT DRAWN TO SCALE

