

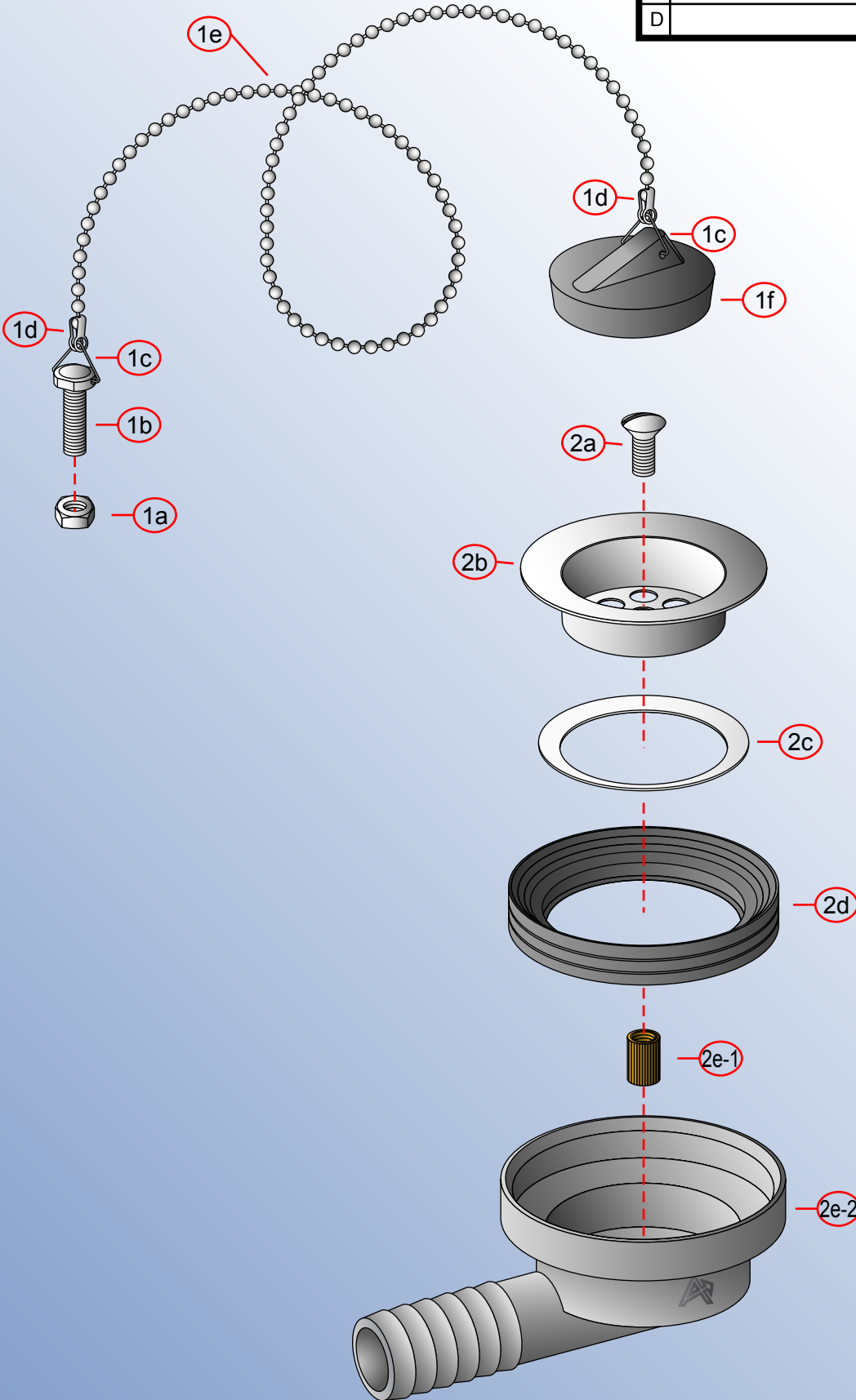
Rev. Change	
A	Original
B	
C	
D	

# S01-0101-xx

formerly Ambassador Marine  
 5900 Katella Ave., Cypress, CA 90630  
 800.854.3218 • 562.795.5200 • Fax 562.795.7564  
 www.shurflo.com



Stopper	Package Style	Model #
Chain Stopper	Poly Bag	<b>S01-0101-xx</b>
Connection	1" Hose Barb	Drain Series
Drain Size	Modified/Approved	Drain Type
1 1/2" (Fits: 1 3/4" Hole)	SS - 10/16/08	90° Sink Drain
		Low Profile



NOT DRAWN TO SCALE

