

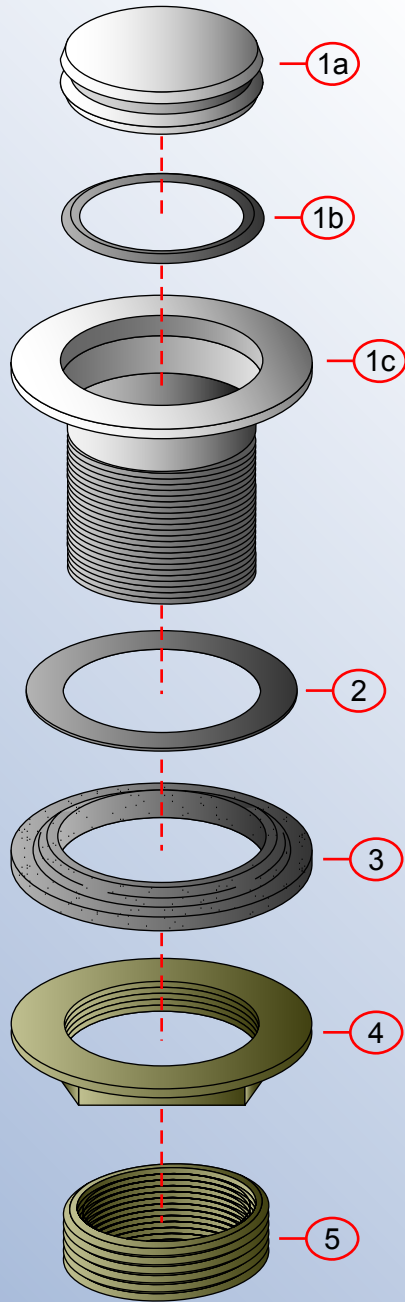
Rev. Change	
A	Original
B	
C	
D	

S01-0304-xx

formerly Ambassador Marine
 5900 Katella Ave., Cypress, CA 90630
 800.854.3218 • 562.795.5200 • Fax 562.795.7564
 www.shurflo.com



Stopper	Flip	Package Style	Model #
	Flip	Poly Bag	S01-0304-xx
Connection	1 1/4" -M Thread	Drain Series	Straight Sink Drain
Drain Size	1 1/2" (Fits: 1 3/4" Hole)	Modified/Approved	Drain Type
		SS - 02/21/08	Flip Drain (No Overflow)



NOT DRAWN TO SCALE

