

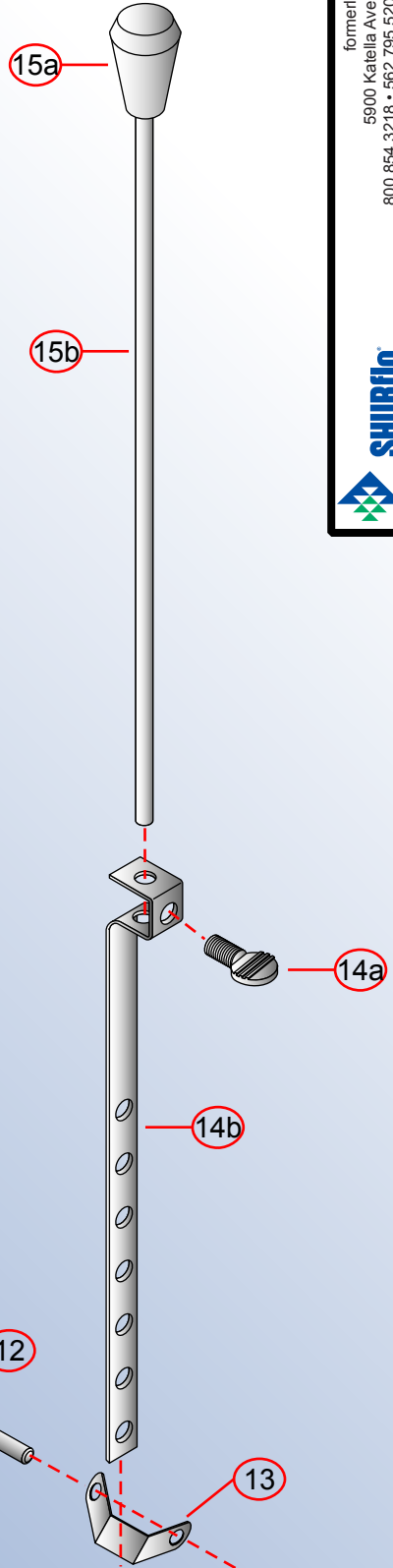
Rev. Change	
A	Original
B	
C	
D	

# S01-0411-xx

formerly Ambassador Marine  
 5900 Katella Ave., Cypress, CA 90630  
 800.854.3218 • 562.795.5200 • Fax 562.795.7564  
 www.shurflo.com



Stopper	Package Style	Model #	Drain Series	Drain Type
Pop-Up	White Box	<b>S01-0411-xx</b>	Pop-Up Sink Drain	No Overflow
Connection	1 1/4" Sweat		Modified/Approved	
Drain Size	1 1/2" (Fits: 1 3/4" Hole)		SS - 8/25/08	



NOT DRAWN TO SCALE

