

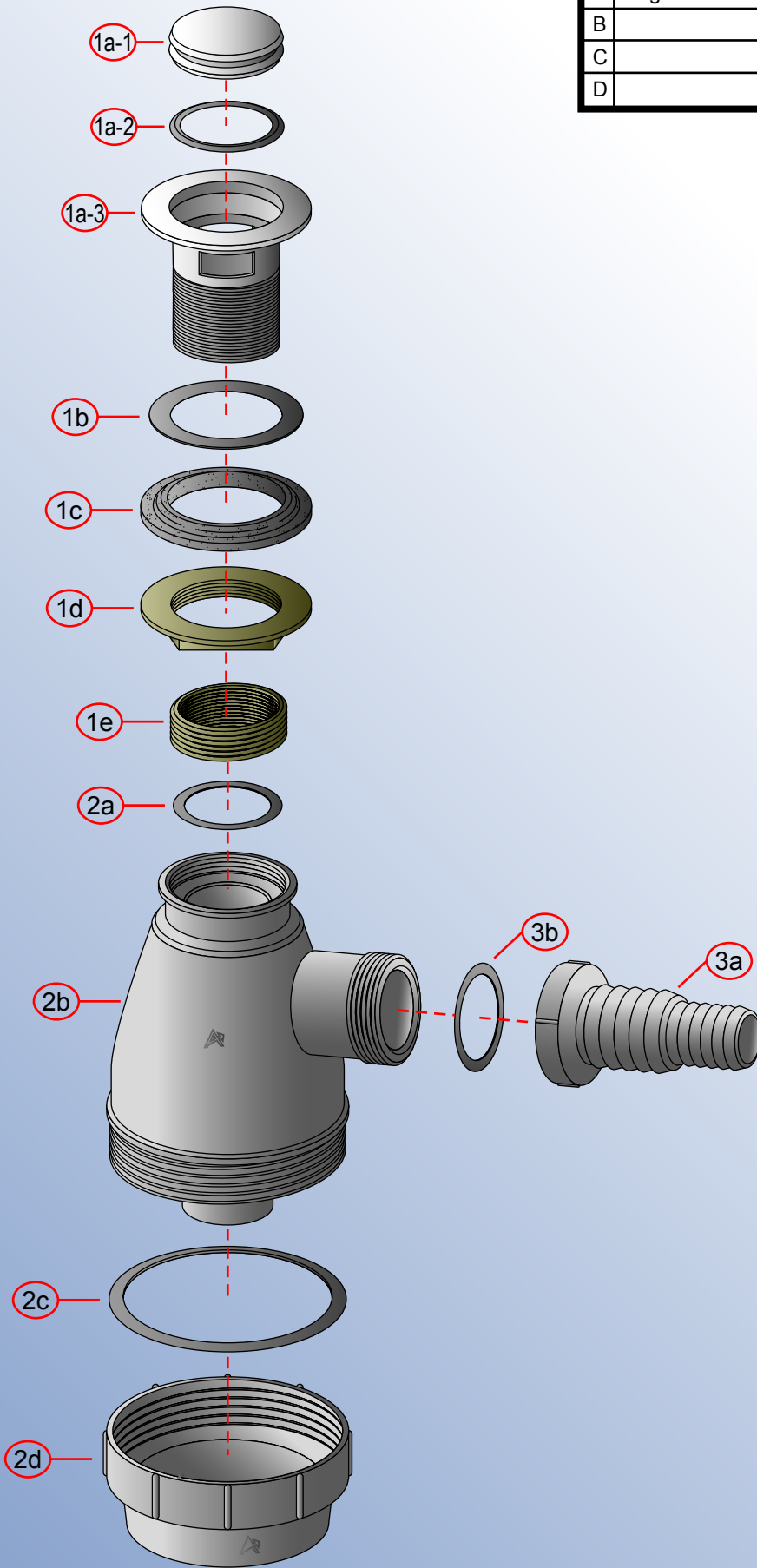
| | |
|-------------|----------|
| Rev. Change | |
| A | Original |
| B | |
| C | |
| D | |

S01-0508-xx

formerly Ambassador Marine
 5900 Katella Ave., Cypress, CA 90630
 800.854.3218 • 562.795.5200 • Fax 562.795.7564
 www.shurflo.com



| | | | | | |
|------------|----------------------------|-------------------|-----------------|------------|---------------------------------|
| Stopper | Flip | Package Style | Poly Bag | Model # | S01-0508-xx |
| Connection | 3/4" & 1" Hose Barb | Drain Series | Trap Sink Drain | Drain Type | Flip Trap Drain (With Overflow) |
| Drain Size | 1 1/2" (Fits: 1 3/4" Hole) | Modified/Approved | SS - 9/22/08 | | |



NOT DRAWN TO SCALE

