

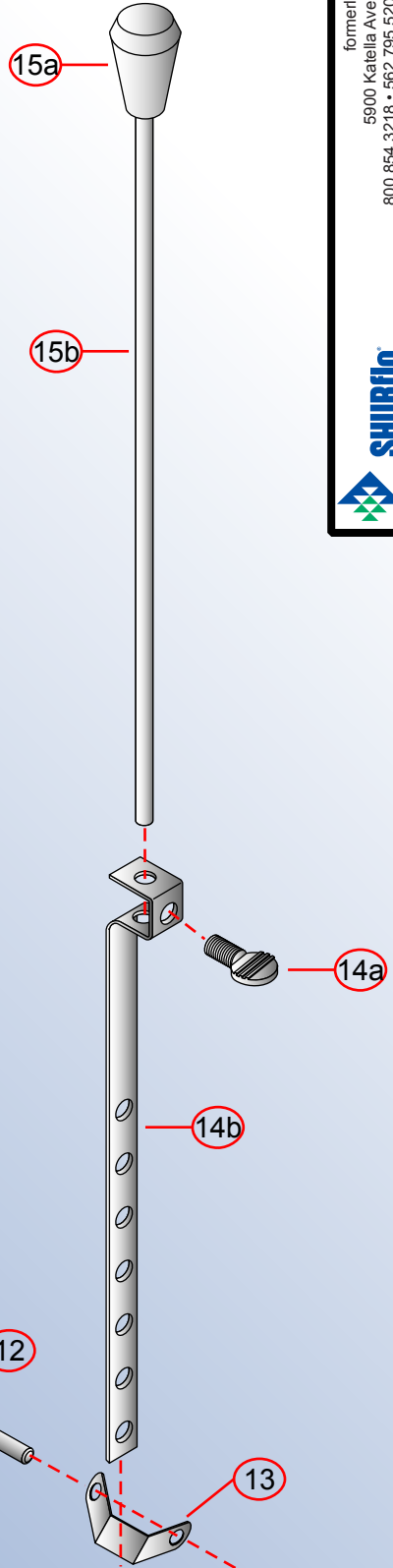
Rev. Change	
A	Original
B	
C	
D	

S01-0611-xx

formerly Ambassador Marine
 5900 Katella Ave., Cypress, CA 90630
 800.854.3218 • 562.795.5200 • Fax 562.795.7564
 www.shurflo.com



Stopper	Pop-Up	Package Style	White Box	Model #	S01-0611-xx
Connection	1 1/4" Sweat	Drain Series	Pop-Up Sink Drain	Drain Type	With Overflow
Drain Size	1 1/2" (Fits: 1 3/4" Hole)	Modified/Approved	SS - 8/25/08		



NOT DRAWN TO SCALE

