

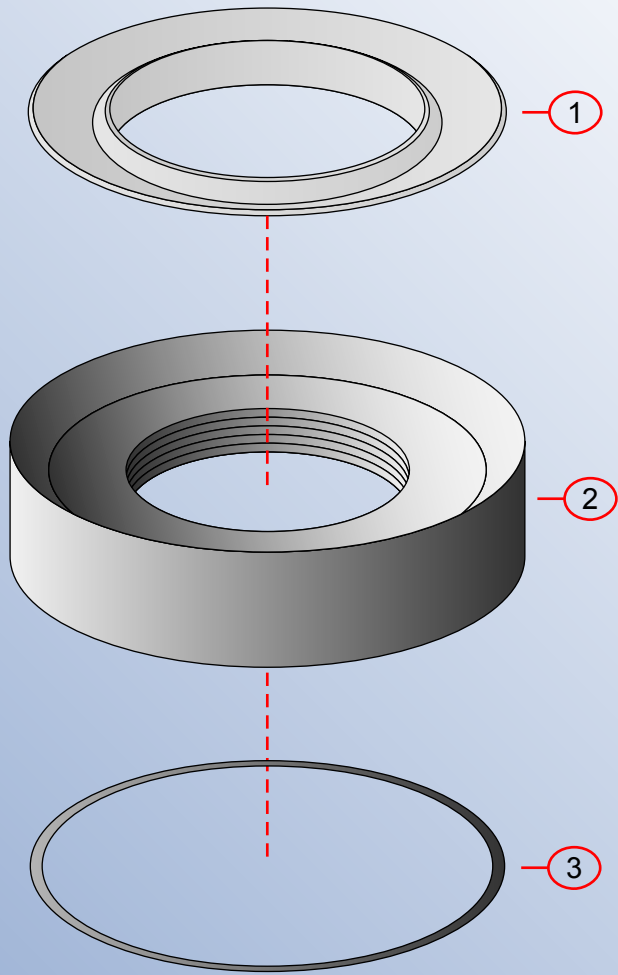
Rev. Change	
A	Original
B	
C	
D	

V03-0050-xx

formerly Ambassador Marine
 5900 Katella Ave., Cypress, CA 90630
 800.854.3218 • 562.795.5200 • Fax 562.795.7564
www.shurflo.com



Stopper	N/A	Package Style	BOX	Model #	V03-0050-xx
Connection	Works With Touch Drain Series, 1 1/4" F Thread	Drain Series		Drain Series	Vessel - Base
Drain Size	1 3/4" (Fits: 1 7/8" Hole)	Modified/Approved	SS - 09/23/08	Drain Type	Mounting Base (Optional)



NOT DRAWN TO SCALE

