

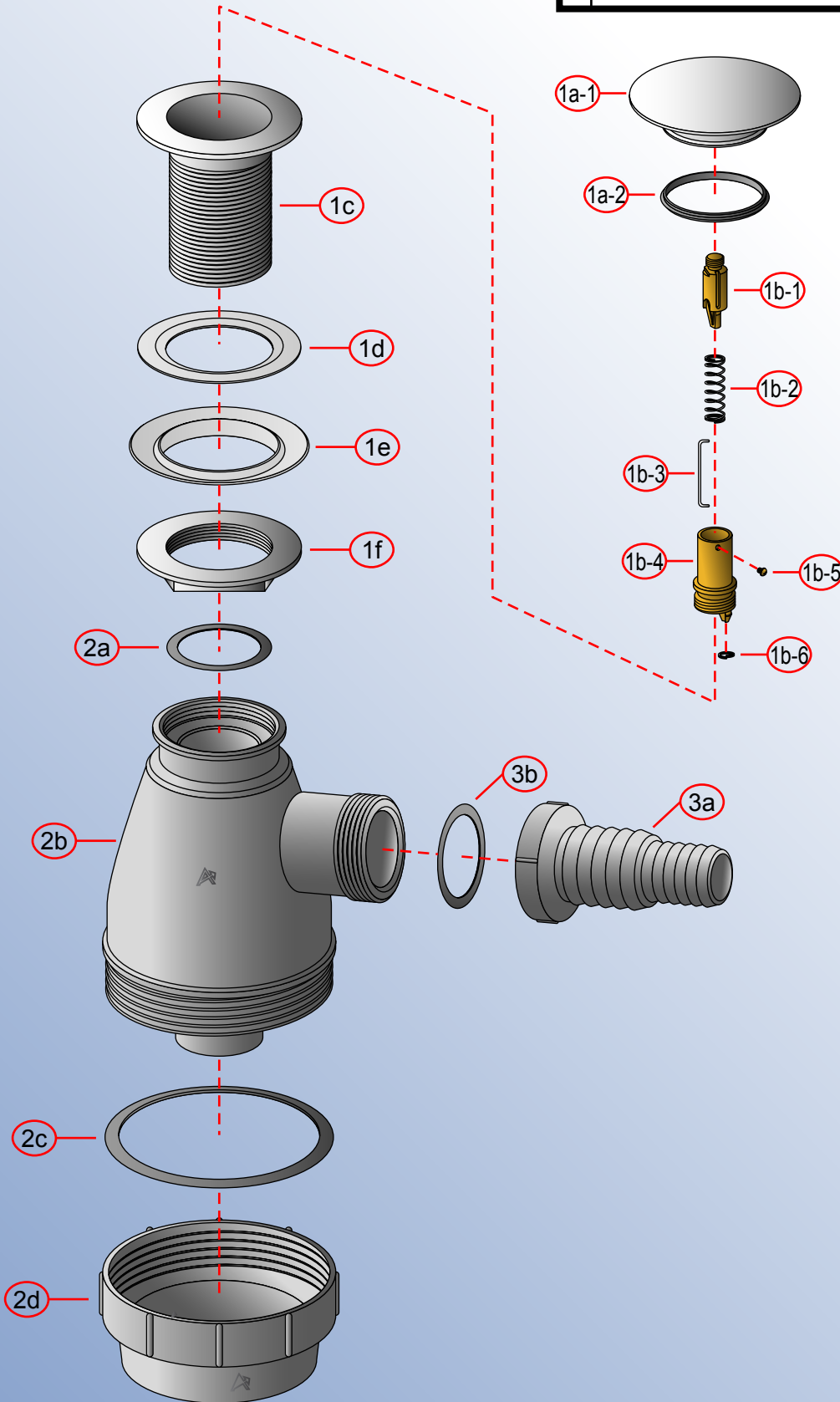
Rev. Change	
A	Original
B	
C	
D	

V03-0708-xx

formerly Ambassador Marine
 5900 Katella Ave., Cypress, CA 90630
 800.854.3218 • 562.795.5200 • Fax 562.795.7564
 www.shurflo.com



Stopper	Touch	Package Style	Poly Bag	Model #	V03-0708-xx
Connection	3/4" & 1" Hose Barb	Drain Series	Trap Sink Drain	Drain Type	Touch Trap Drain (With Cover)
Drain Size	1 3/4" (Fits: 1 7/8" Hole)	Modified/Approved	SS - 9/23/08		



NOT DRAWN TO SCALE

