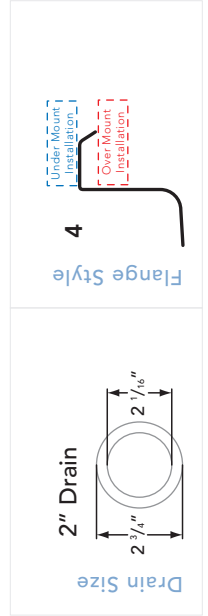
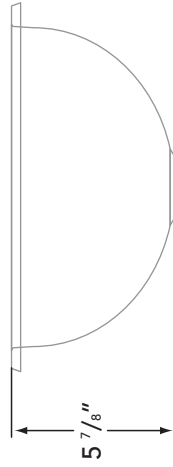
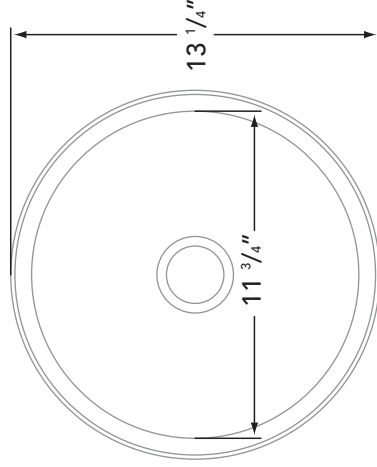


S24-1501-xx

formerly Ambassador Marine
 5900 Katella Ave., Cypress, CA 90630
 800.854.3218 • 562.795.5200 • Fax 562.795.7564
 www.shurflo.com



By	SS	Flange	4	Model #	S24-1501-xx
Modified/Approved	2/27/08	Drain Size	2"	Type	Half Sphere
Sound Reduction	Yes	Restraints	None	Packaging	Individual Box / 10-Pack



All dimensions ± 1/8". Line drawings are for reference only and may not be to scale.