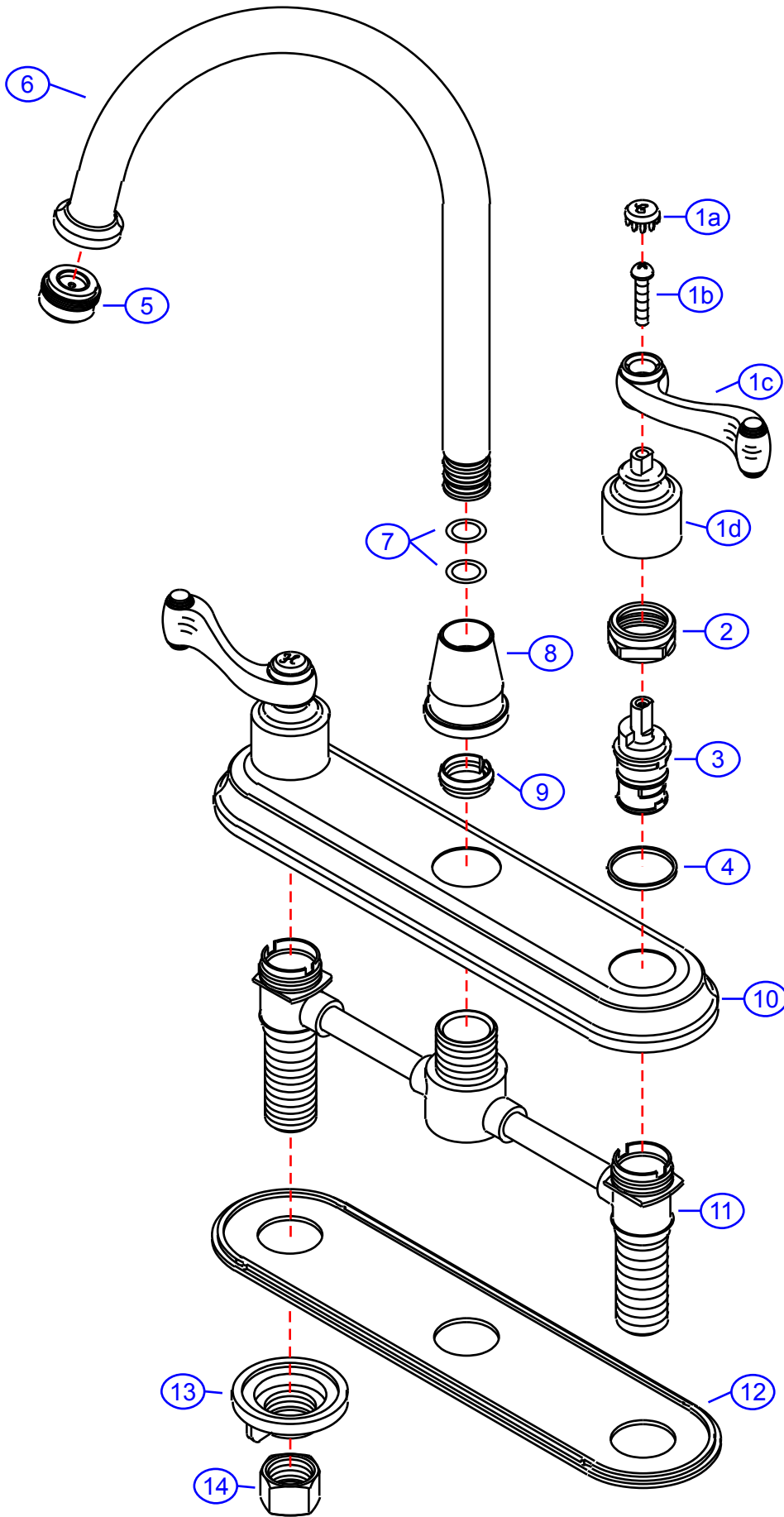


# 9040-S

by Associated Marketing Concepts  
 21624 Marilla Street, Chatsworth, CA 91311-4123  
 (800) 270-4262 | (818) 678-1651 | FAX (818) 678-1655  
 www.ambassador-amc.com

**Ambassador**  
 FINE FAUCETS

By	SS	Main Finish	Chrome	Model #	<b>9040-S</b>
Modified/Approved	1-28-04	Accent Finish	None	Series	"S" Handle
Fulfillment	F82B8000CP	Valve	Ceramic Disk	Type	2 Handle Kitchen



# 9040-S



## "S" Handle 2 Handle Kitchen- CD/CP

#	Description	Quantity	Part #	Finish
1	"S" Handle (Hot)	1	EA-662780HCP	Chrome
	"S" Handle (Cold)	1	EA-662780CCP	Chrome
1a	Cap "H"	1	E-206041HCP	Chrome
	Cap "C"	1	E-206041CCP	Chrome
1b	Screw	2	E-008044	Metal
1c	"S" Handle (Hot)	1	E-108036HCP	Chrome
	"S" Handle (Cold)	1	E-108036CCP	Chrome
1d	Canopy (Hot)	1	E-018154HCP	Chrome
	Canopy (Cold)	1	E-018154CCP	Chrome
2	Retainer Nut	2	E-016002CP	Chrome
3	Cartridge (Hot)	1	E-507003NH	Ceramic Disc
	Cartridge (Cold)	1	E-507003NC	Ceramic Disc
4	Packing Ring	2	E-200013	Plastic
5	Aerator	1	E-500013NCP	Chrome
6	Spout	1	E-100008NCP	Chrome
7	O-Ring	2	E-004005N	Rubber
8	Bonnet	1	E-000001CP	Chrome
9	Packing Ring	1	E-012003	Plastic
10	Cover Plate	1	E-007003CP	Chrome
11	Valve	1	E-055020N	Brass
12	Gasket	1	E-011003	Plastic
13	Thumb Nut	2	E-009007	Plastic
14	Connector Nuts	2	E-009016	Brass

\* Grayed parts are not available individually. "Assembled" item required.

by Associated Marketing Concepts  
 21624 Marilla Street, Chatsworth, CA 91311-4123  
 (800) 270-4262 \* (818) 678-1651 \* FAX (818) 678-1655  
[www.ambassador-amc.com](http://www.ambassador-amc.com)