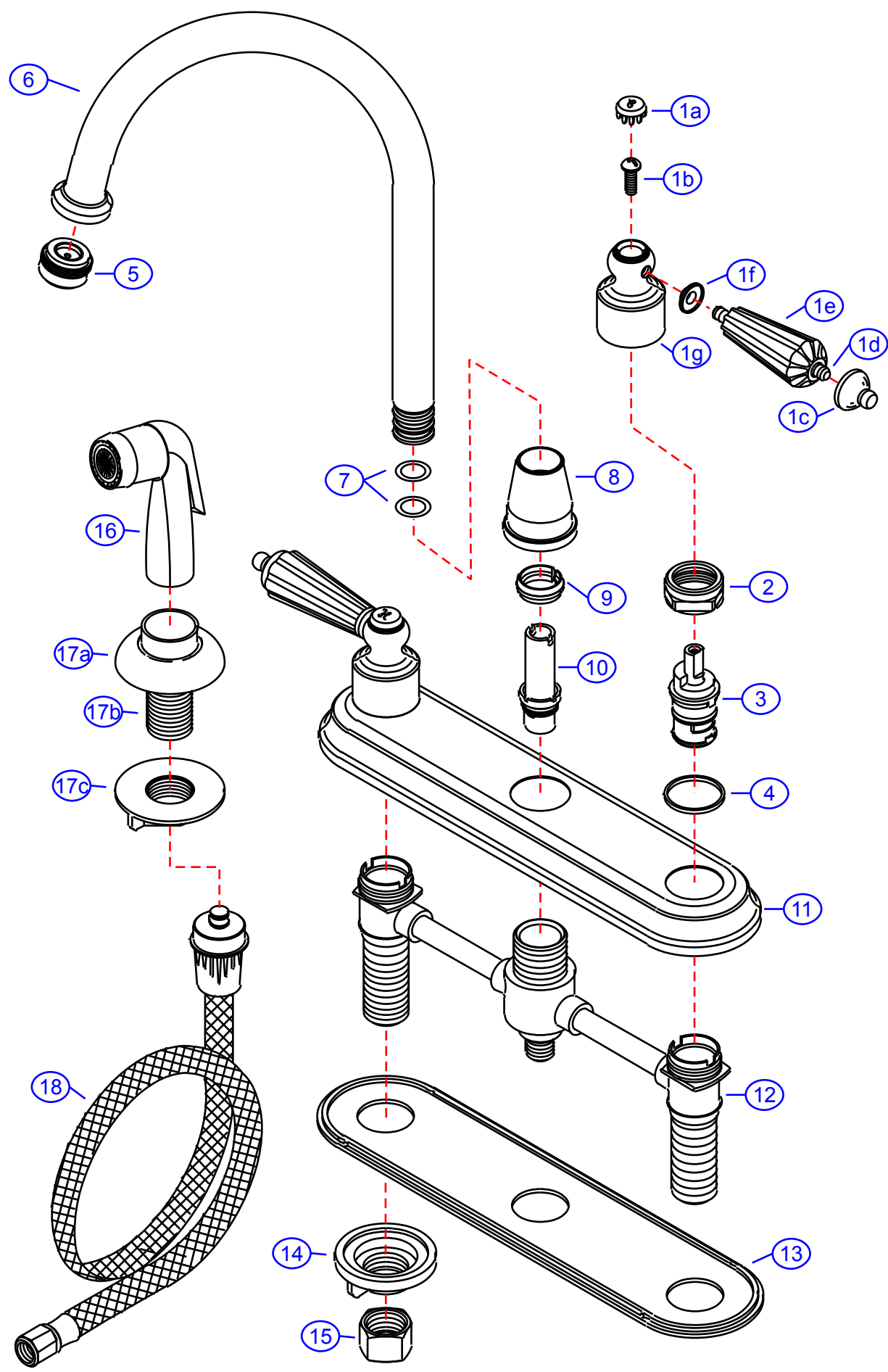


# 9041-L

by Associated Marketing Concepts  
 21624 Marilla Street, Chatsworth, CA 91311-4123  
 (800) 270-4262 | (818) 678-1651 | FAX (818) 678-1655  
 www.ambassador-amc.com



By	SS	Chrome	Model #	9041-L
Modified/Approved	1-27-04	White Porcelain	Series	Lotus
Fulfillment	L6H306CP	Ceramic Disk	Type	2 Handle Kitchen w/Spray



# 9041-L



## Lotus 2 Handle Kitchen with Sprayer- CD/CP

#	Description	Quantity	Part #	Finish
1	Lotus Handle (Hot)	1	EA-662778HCP	Chrome
	Lotus Handle (Cold)	1	EA-662778CCP	Chrome
1a	Cap "H"	1	E-206041HCP	Chrome
	Cap "C"	1	E-206041CCP	Chrome
1b	Screw	2	E-008044CP	Metal
1c	Handle Tip	2	E-109003CP	Chrome
1d	Handle Rod	2	E-017045	Brass
1e	Handle (Lotus)	2	E-108028WH	Porcelain
1f	Spacer	2	E-107034CP	Chrome
1g	Canopy (Hot)	1	E-018019HCP	Chrome
	Canopy (Cold)	1	E-018019CCP	Chrome
2	Retainer Nut	2	E-016002CP	Chrome
3	Cartridge (Hot)	1	E-507003NH	Ceramic Disc
	Cartridge (Cold)	1	E-507003NC	Ceramic Disc
4	Packing Ring	2	E-200013	Plastic
5	Aerator	1	E-500013NCP	Chrome
6	Spout	1	E-100008NCP	Chrome
7	O-Ring	2	E-004005N	Rubber
8	Bonnet	1	E-000001CP	Chrome
9	Packing Ring	1	E-012003	Plastic
10	Diverter	1	E-501013N	Plastic
11	Cover Plate	1	E-007003CP	Chrome
12	Valve	1	E-055022N	Brass
13	Gasket	1	E-011003	Plastic
14	Thumb Nut	2	E-009007	Plastic
15	Connector Nuts	2	E-009016	Brass
19	Sprayer (White)	1	E-503000NWC	Plastic
17	Hose Nest (Assembled)	1	EA-504005CW	Plastic
17a	Hose Nest Collar	1	E-220001CP*	Chrome
17b	Hose Nest	1	E-017005WH*	Plastic
17c	Thumb Nut	1	E-009008WH*	Plastic
18	Hose	1	E-511000NWH	Hose
* Grayed parts are not available individually. "Assembled" item required.				

by Associated Marketing Concepts  
 21624 Marilla Street, Chatsworth, CA 91311-4123  
 (800) 270-4262 \* (818) 678-1651 \* FAX (818) 678-1655  
[www.ambassador-amc.com](http://www.ambassador-amc.com)