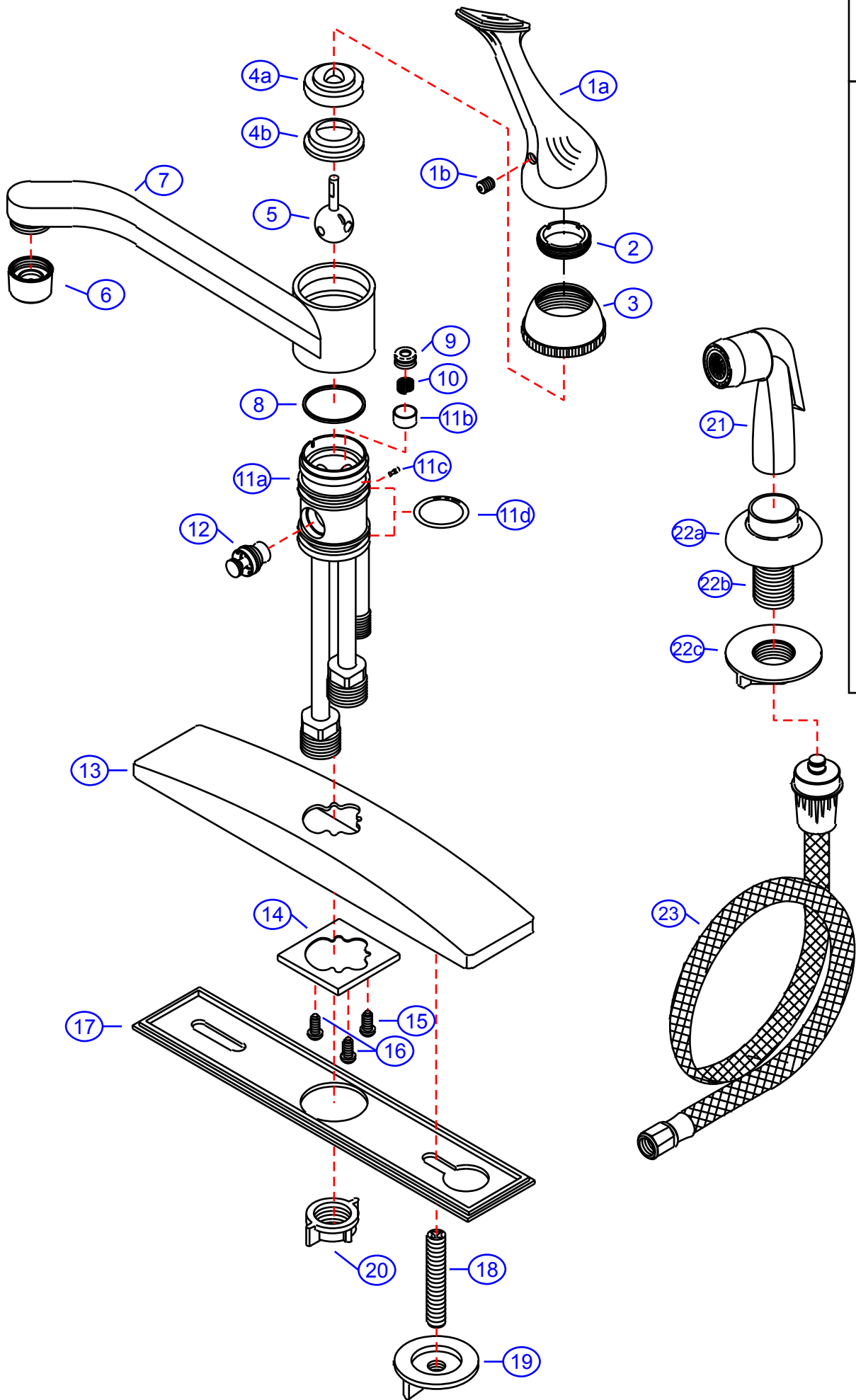


317-1003

by Associated Marketing Concepts
 21624 Marilla Street, Chatsworth, CA 91311-4123
 (800) 270-4262 • (818) 678-1651 • FAX (818) 678-1655
 www.ambassador-amc.com

Ambassador
 FINE FAUCETS

Model #	317-1003		
Series	External Sprayer		
Type	Single Control Kitchen		
Main Finish	Chrome		
Accent Finish	Black		
Valve	Ball (Washerless)		
By	SS		
Modified/Approved	1-29-04		
Fulfillment	xxxCP		



317-1003



External Sprayer Single Control Kitchen Faucet- CP

#	Description	Quantity	Part #	Finish
1	Handle (Assembled)	1	G-A50611CP	Chrome
1a	Handle	1	E-029003CP	Chrome
1b	Set Screw	1	E-008002	Metal
2	Adjusting Ring	1	E-104001	Brass
3	Cap	1	E-103000CP	Chrome
4	Cam Packing	1	EA-663000N	Plastic/Rubber
4a	Cam	1	E-201000*	Plastic
4b	Packing	1	E-102000N*	Rubber
5	Ball Assembly	1	E-040004	Metal
6	Aerator	1	E-500112NCP	Chrome
7	Spout	1	E-100009NCP*	Chrome
8	O-Ring	1	E-200000	Rubber
9	Seat	2	E-101000N	Rubber
10	Spring	2	E-005000	Metal
11	Valve (Assembled)	1	G-AXXXX *	Brass
11a	Valve Body	1	E-002019N*	Brass
11b	Seat & Spring Housing	2	E-106001*	Brass
11c	Pin	1	E-003000	Metal
11d	O-Ring	2	E-004008N	Rubber
12	Diverter	1	E-501011N	Brass
13	Cover Plate	1	G-00709CP	Chrome
14	Deck Plate Brace	1	E-120000	Metal
15	Deck Plate Screws	2	E-008136	Metal
16	Deck Plate Brace Screw	1	E-008036	Metal
17	Gasket	1	E-011015	Plastic
18	Mounting Bolt	2	E-017001ZN	Metal
19	Mounting Thumb Nut	2	E-009003	Plastic
20	Connector Thumb Nut	2	E-009018	Plastic
21	Sprayer (Black)	1	E-503001N	Plastic
22	Hose Nest (Assembled)	1	EA-504005CP	Chrome
22a	Hose Nest Collar	1	E-220001CP*	Chrome
22b	Hose Nest	1	E-017078*	Plastic
22c	Thumb Nut	1	E-009008*	Plastic
23	Hose	1	E-511000N	Hose

* Grayed parts are not available individually. "Assembled" item required.

by Associated Marketing Concepts
21624 Marilla Street, Chatsworth, CA 91311-4123
(800) 270-4262 * (818) 678-1651 * FAX (818) 678-1655
www.ambassador-amc.com