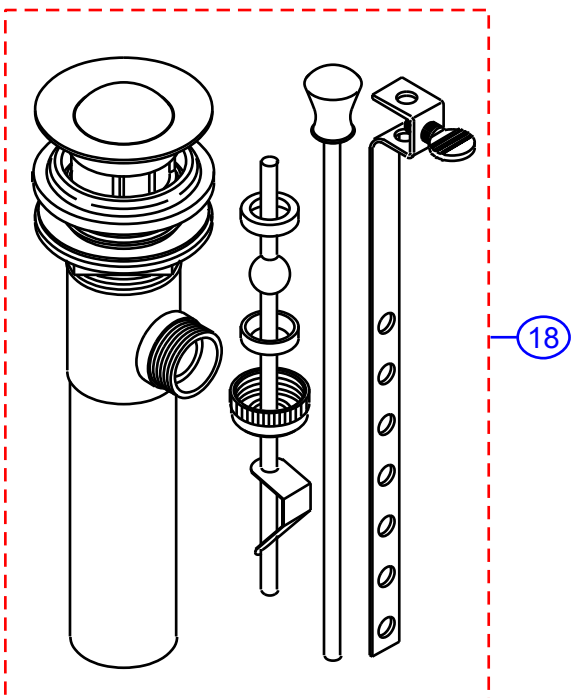
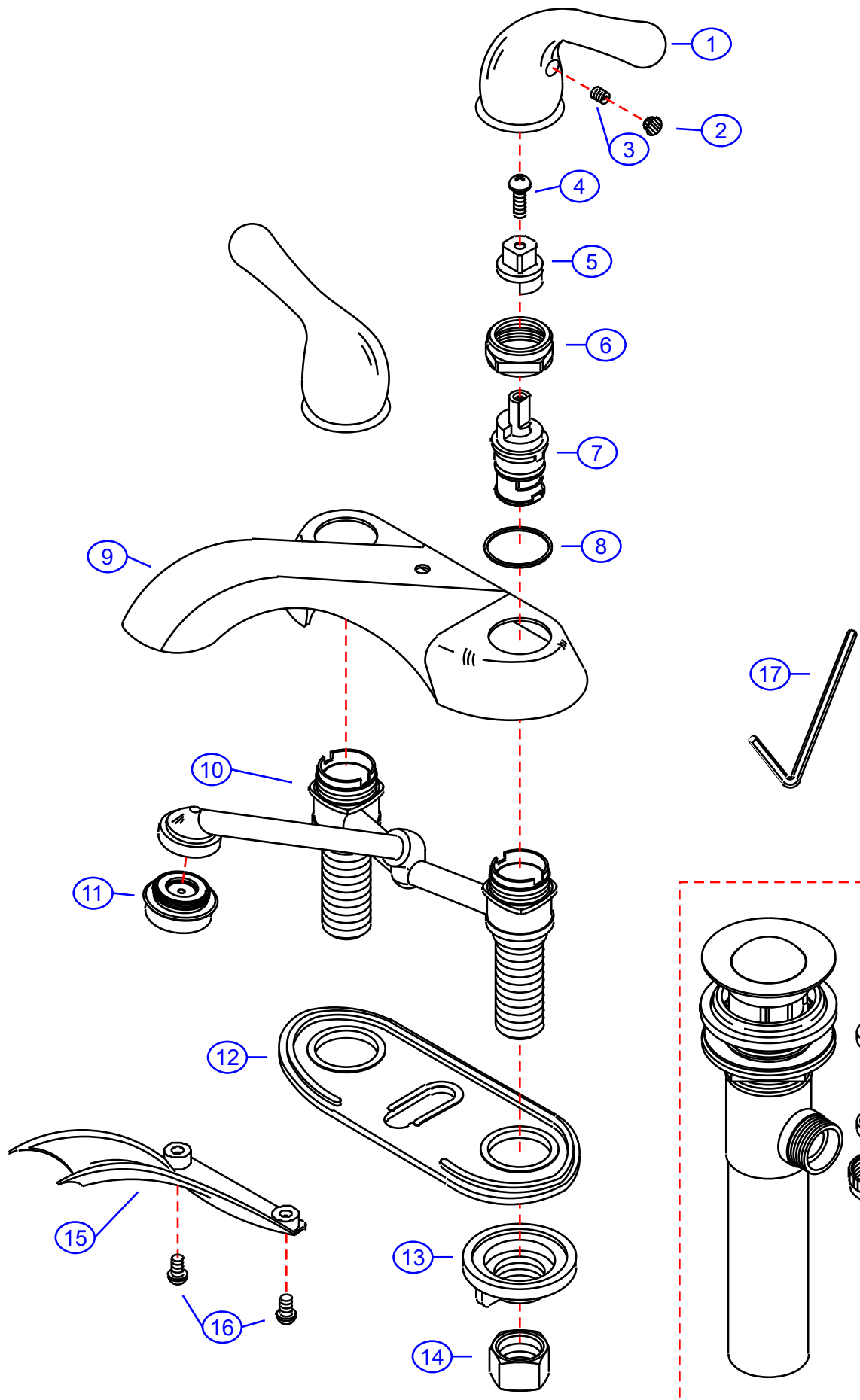


402-Q

(1-part)

by Associated Marketing Concepts
 21624 Marilla Street, Chatsworth, CA 91311-4123
 (800) 270-4262 | (818) 678-1651 | FAX (818) 678-1655
 www.ambassador-amc.com

| | | | |
|-------------------|-----------------------|--|--|
| Model # | 402-Q (1-part) | | |
| Series | Cleopatra | | |
| Type | 4" Center Set Lav. | | |
| Main Finish | Chrome | | |
| Accent Finish | None | | |
| Valve | Ceramic Disk | | |
| By | SS | | |
| Modified/Approved | 12-19-03 | | |
| Fulfillment | xxxCP | | |



402-Q (1-part)



Cleopatra 4" Center Set Lav- CD/CP

| # | Description | Quantity | Part # | Finish |
|----|------------------------------------|----------|-------------|--------------|
| 1 | Handle | 2 | E-029032CP | Chrome |
| 2 | Red Plug | 1 | E-028046H | Rubber |
| | Blue Plug | 1 | E-028046C | Rubber |
| 3 | Set Screw | 2 | E-008003 | Metal |
| 4 | Screw | 2 | E-008044CP | Chrome |
| 5 | Adapter (Hot) | 1 | E-110114H | Plastic |
| | Adapter (Cold) | 1 | E-110114C | Plastic |
| 6 | Retainer Nut | 2 | E-016002CP | Chrome |
| 7 | Cartridge (Hot) | 1 | E-507003NH | Ceramic Disc |
| | Cartridge (Cold) | 1 | E-507003NC | Ceramic Disc |
| 8 | Packing Ring | 2 | E-200013 | Plastic |
| 9 | Cover Plate | 1 | E-007034CP | Chrome |
| 10 | Valve Body | 1 | E-044281N | Brass |
| 11 | Aerator | 1 | E-500219NCP | Chrome |
| 12 | Gasket | 1 | E-011038 | Plastic |
| 13 | Thumb Nut | 2 | E-009007 | Plastic |
| 14 | Connector Nuts | 2 | E-009016 | Brass |
| 15 | Bottom Plate | 1 | E-223007CP | Chrome |
| 16 | Screw | 2 | E-008017 | Chrome |
| 17 | Allen Key | 1 | E-031000 | Metal |
| 18 | Drain Kit (see "Drains" for parts) | 1 | EA-505039CP | Chrome |

* Grayed parts are not available individually. "Assembled" item required.