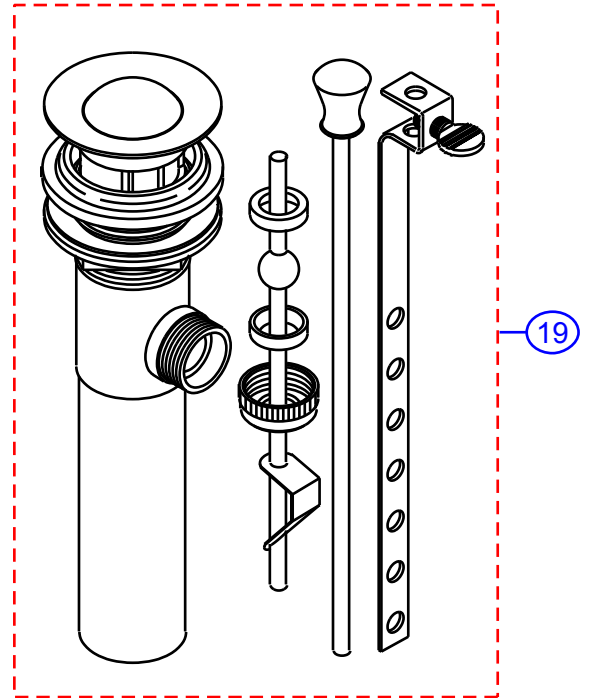
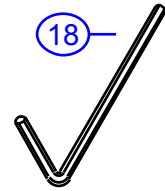
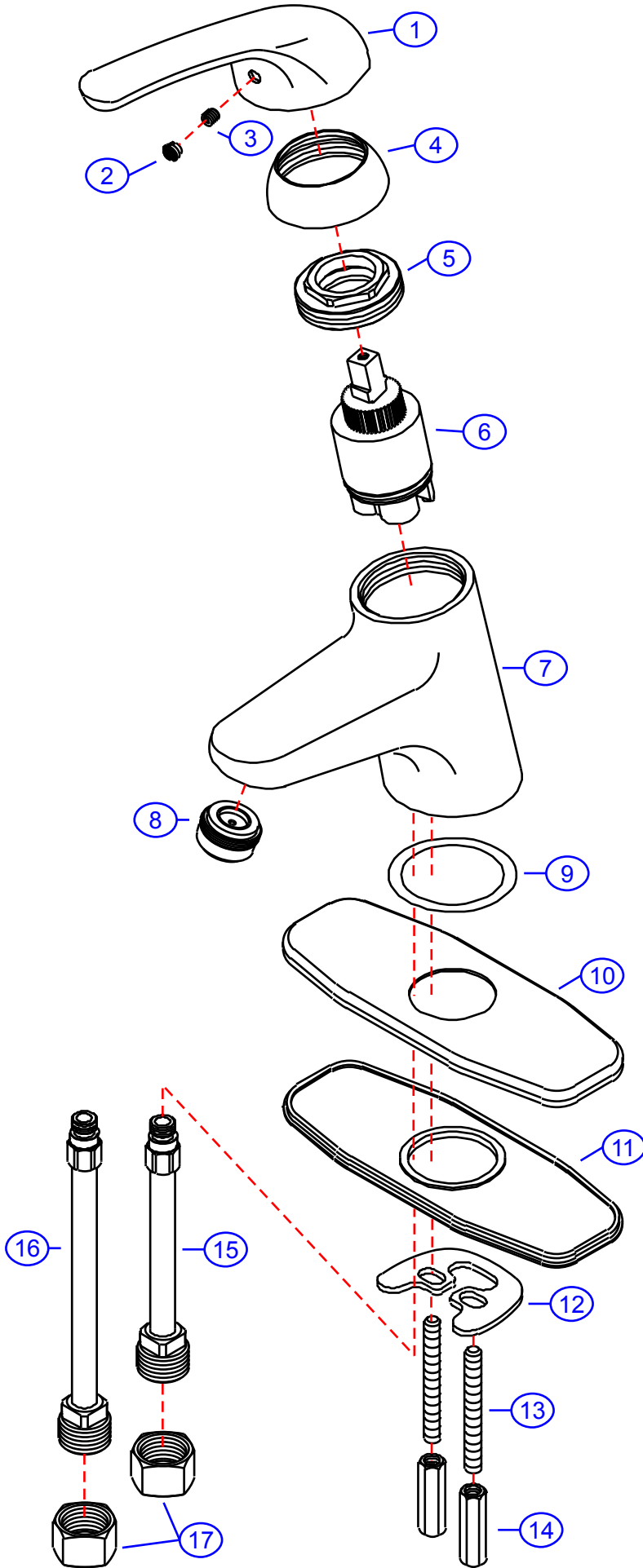


712-CS

by Associated Marketing Concepts
 21624 Marilla Street, Chatsworth, CA 91311-4123
 (800) 270-4262 | (818) 678-1651 | FAX (818) 678-1655
 www.ambassador-amc.com

Ambassador
 FINE FAUCETS

By	SS	Main Finish	Chrome	Model #	712-CS
Modified/Approved	1-8-04	Accent Finish	Satin	Series	Mono-Block
Fulfillment	FS1A4203CS	Valve	Ceramic Disk	Type	Single Hole Lav.



712-CS



Mono-Block Single Hole Lav- CD/CS

#	Description	Quantity	Part #	Finish
1	Handle	1	E-029036CP	Chrome
2	Red/Blue Plug	1	E-028065	Rubber
3	Set Screw	1	E-008003	Metal
4	Cap	1	E-103011ST	Satin
5	Retainer Ring	1	E-104005	Brass
6	Cartridge	1	E-507022N	Ceramic Disc
7	Body	1	E-002078NCP*	Chrome
8	Aerator	1	E-500013NSR	Satin
9	O-Ring	1	E-004060	Rubber
10	Deck Plate	1	E-007059CP	Chrome
11	Gasket	1	E-011053	Plastic
12	Mounting Washer	1	E-013016	Metal
13	Mounting Rod	2	E-017000ZN	Metal
14	Mounting Nut	2	E-009030	Brass
15	Supply Tube (Short)	1	E-051128N	Copper/Brass
16	Supply Tube (Long)	1	E-051129N	Copper/Brass
17	Connector Nuts	2	E-009016	Brass
18	Allen Key	1	E-031000	Metal
19	Drain Kit (see "Drains" for parts)	1	EA-505039SC	Satin/Chrome

* Grayed parts are not available individually. "Assembled" item required.

by Associated Marketing Concepts
21624 Marilla Street, Chatsworth, CA 91311-4123
(800) 270-4262 * (818) 678-1651 * FAX (818) 678-1655
www.ambassador-amc.com