

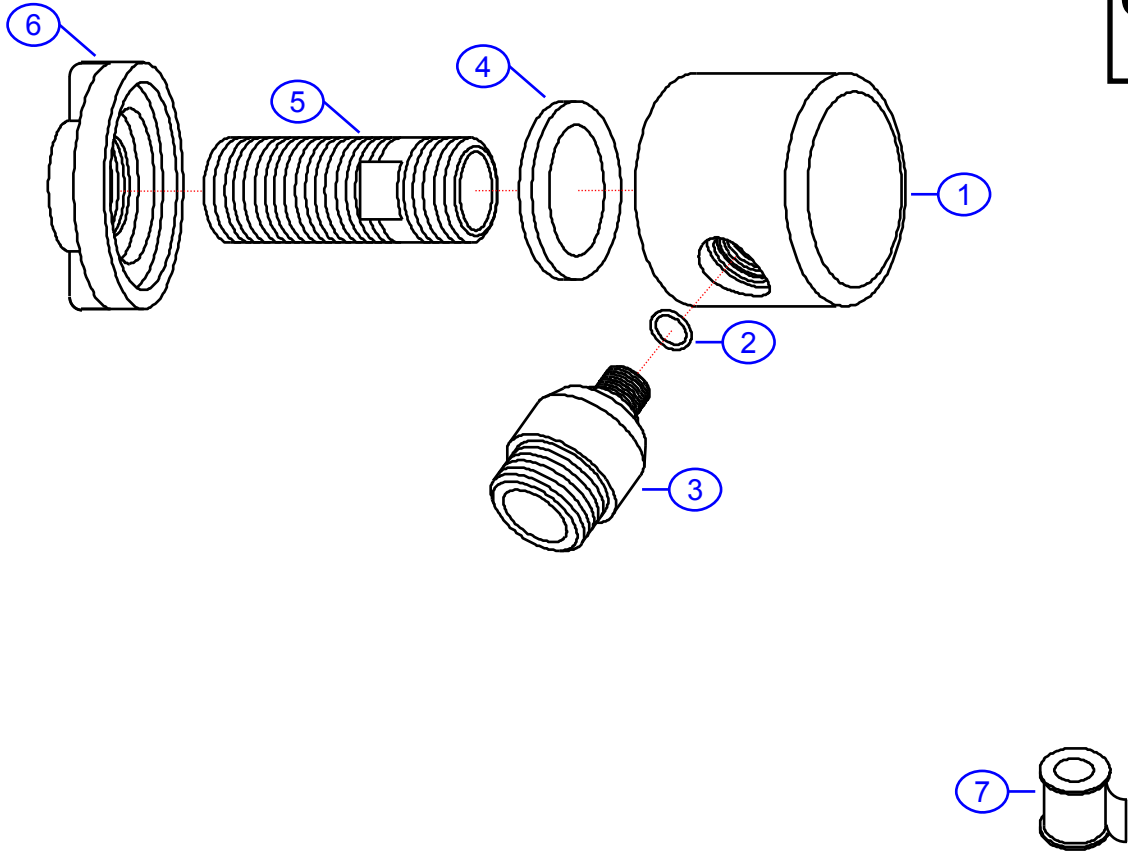
Rev. Change	
A	SHURflo branded
B	Ambassador branded
C	
D	

**130-0015-xx**

by Associated Marketing Concepts  
www.ambassadormarine.com  
(800) 270-4262

**Ambassador**  
MARINE

Rev #	B	Package Style	OEM	Model #	<b>130-0015-xx</b>
Vendor #	A664124xx-ASJ6	Series	Universal	Type	90 Degree Elbow
Drawn By	SS	Approved/Modified	5/14/12		



NOT DRAWN TO SCALE

