

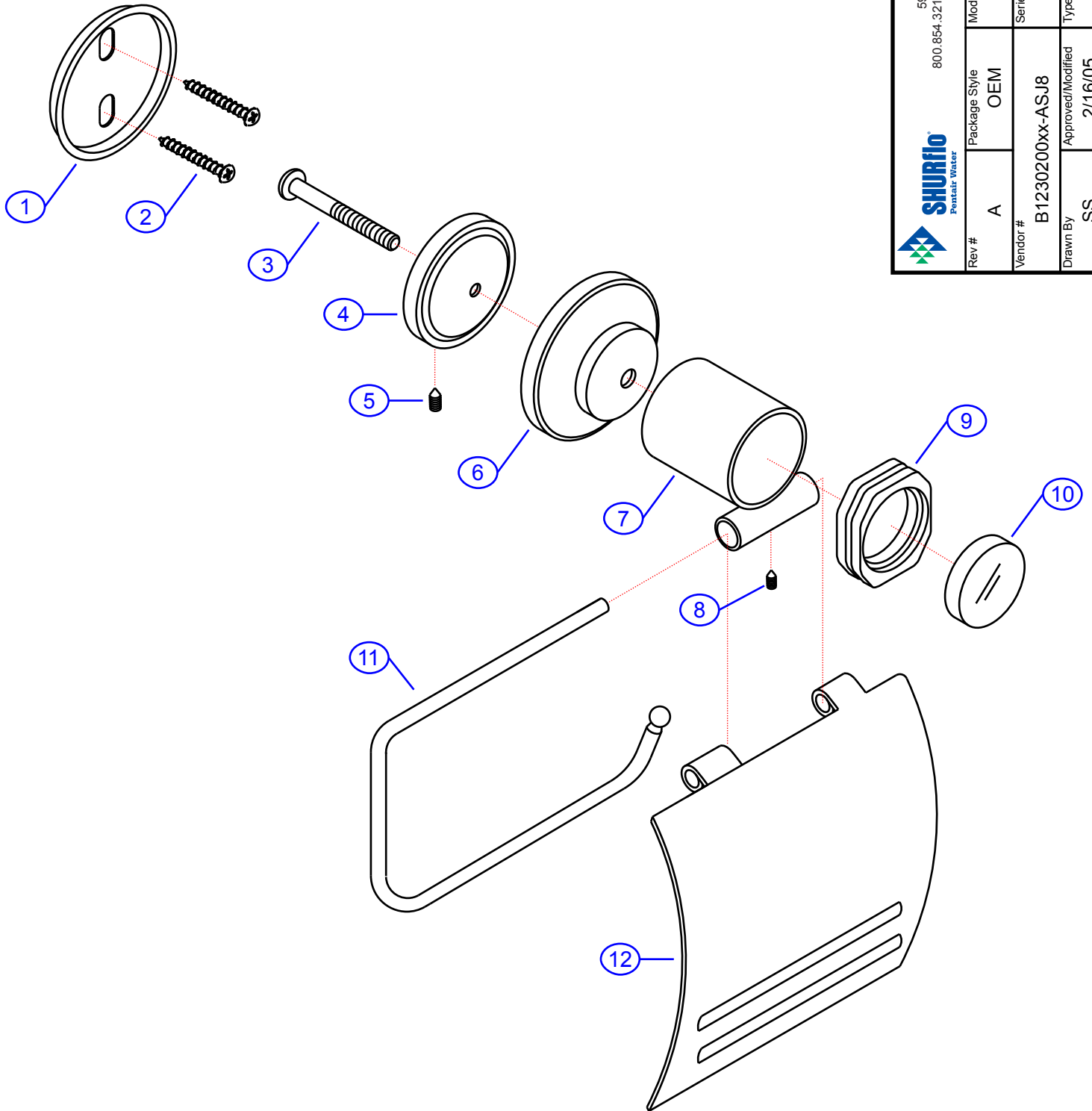
Rev. Change	
A	Original
B	
C	
D	

130-0401-xx

SHURflo Marine Grade Faucets
 5900 Katella Ave., Cypress, CA 90630
 800.854.3218 • 562.795.5200 • Fax 562.795.7564
 www.shurflo.com



Rev #	A	Package Style	OEM	Model #	130-0401-xx
Vendor #	B1230200xx-ASJ8	Series	Pisces		
Drawn By	SS	Approved/Modified	2/16/05	Type	Single Post TP Holder



NOT DRAWN TO SCALE

