

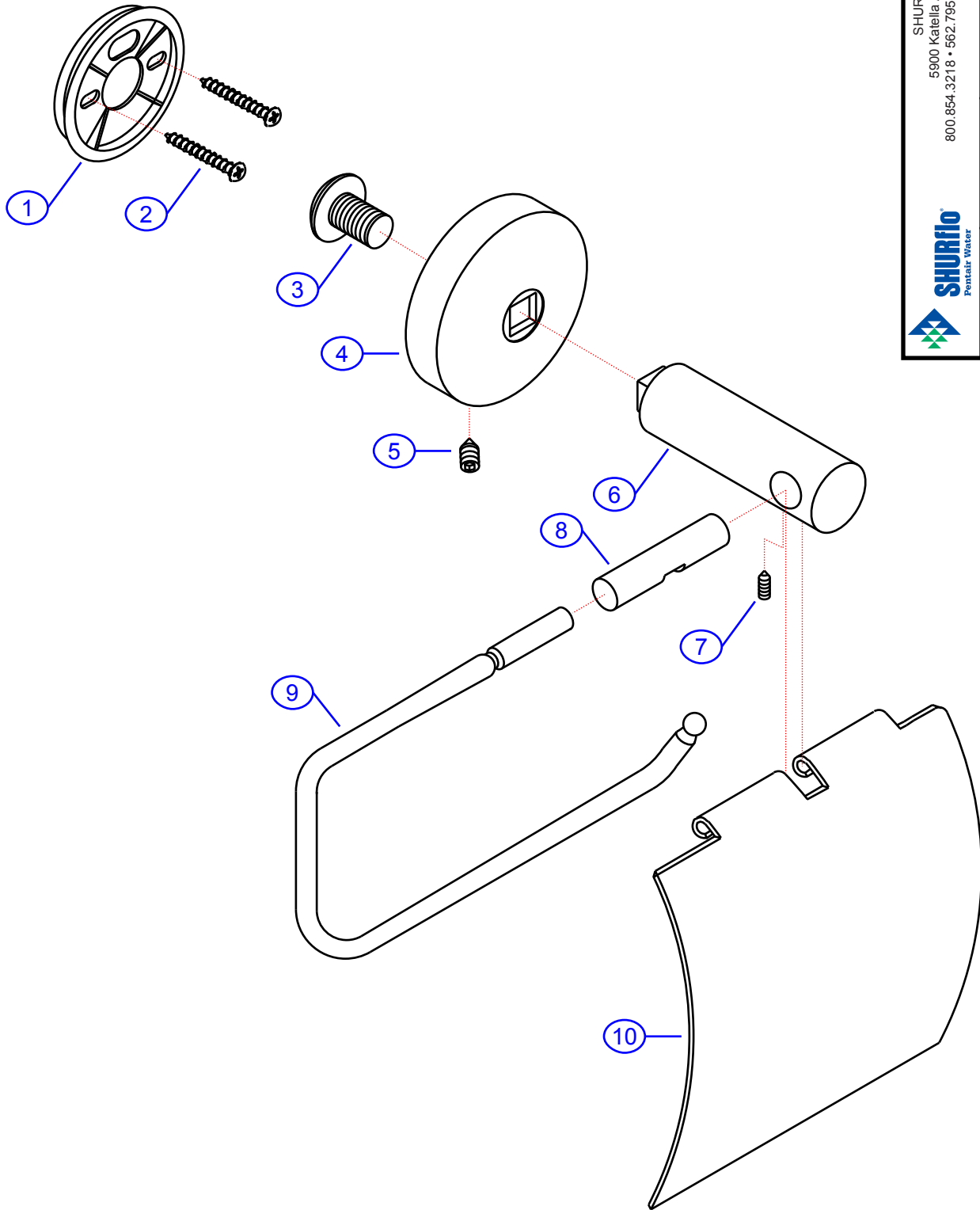
Rev. Change	
A	Original
B	
C	
D	

130-1401-xx

SHURflo Marine Grade Faucets
 5900 Katiella Ave., Cypress, CA 90630
 800.854.3218 • Fax 562.795.5200 • Fax 562.795.7564
 www.shurflo.com



Rev #	A	Package Style	OEM	Model #	130-1401-xx
Vendor #	B3930201xx-ASJ8	Approved/Modified		Series	Aviani / Allure
Drawn By	SS	2/11/05		Type	Single Post TP Holder



NOT DRAWN TO SCALE

