

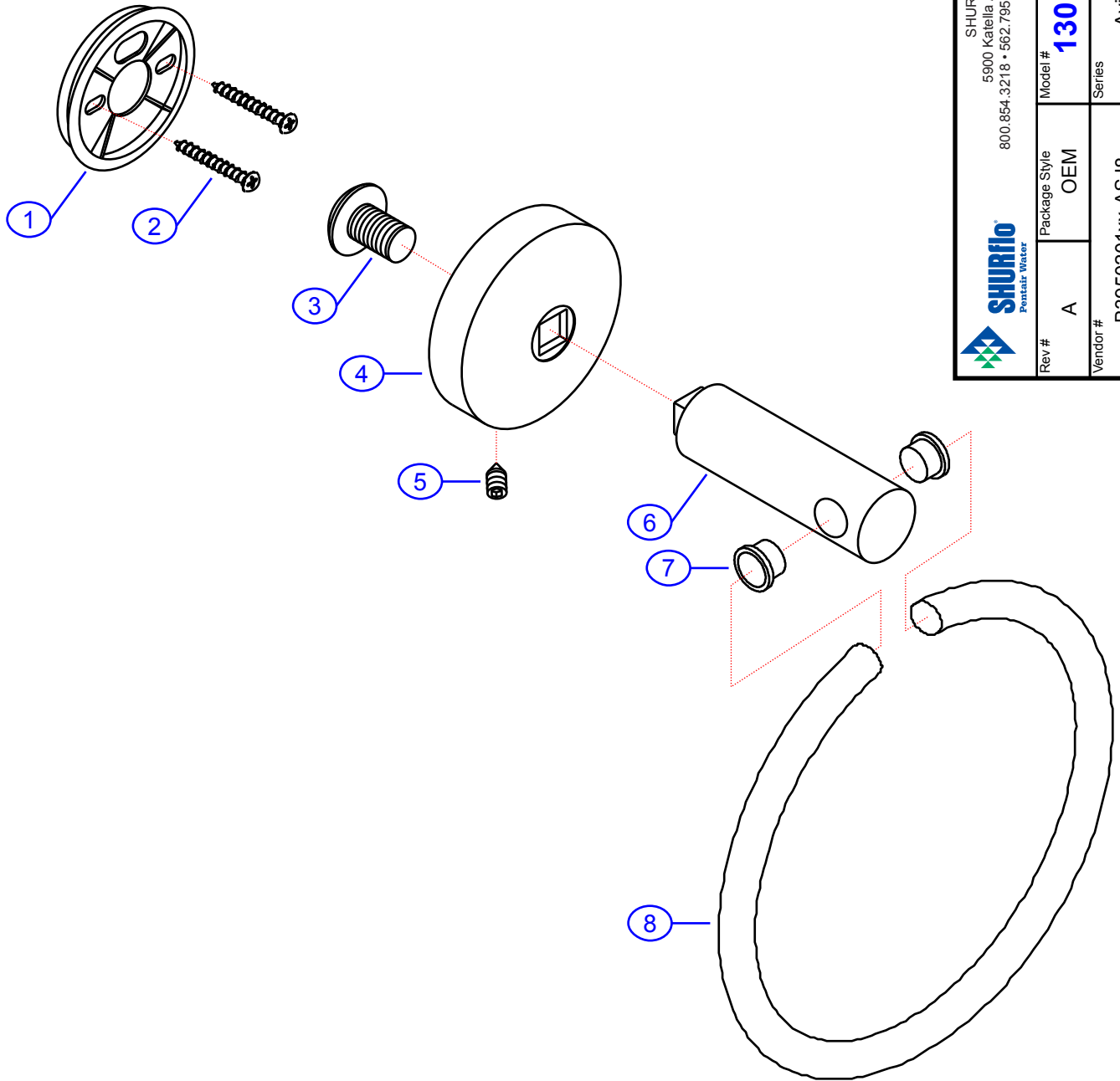
Rev. Change	
A	Original
B	
C	
D	

130-1407-xx

SHURflo Marine Grade Faucets
 5900 Katella Ave., Cypress, CA 90630
 800.854.3218 • 562.795.5200 • Fax 562.795.7564
 www.shurflo.com



Rev #	A	Package Style	OEM	Model #	130-1407-xx
Vendor #	B3950201xx-ASJ8	Series	Aviani / Allure		
Drawn By	SS	Approved/Modified	2/11/05	Type	Towel Ring



NOT DRAWN TO SCALE

