

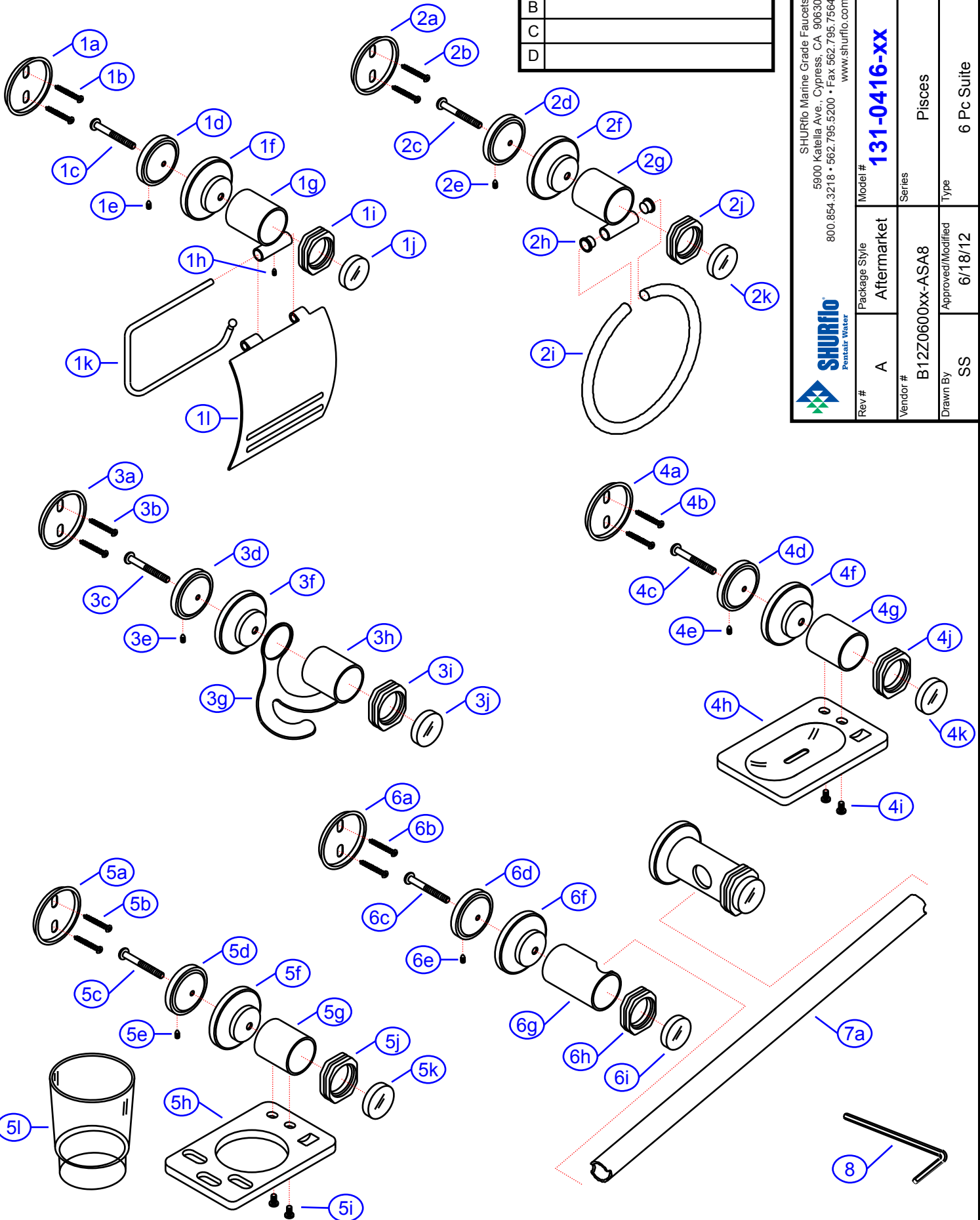
| Rev. Change |          |
|-------------|----------|
| A           | Original |
| B           |          |
| C           |          |
| D           |          |

**131-0416-xx**

SHURflo  
Pentair Water

SHURflo Marine Grade Faucets  
5900 Katiella Ave., Cypress, CA 90630  
800.854.3218 • Fax 562.795.5200 • Fax 562.795.7564  
www.shurflo.com

|          |                 |                   |             |         |                    |
|----------|-----------------|-------------------|-------------|---------|--------------------|
| Rev #    | A               | Package Style     | Aftermarket | Model # | <b>131-0416-xx</b> |
| Vendor # | B12Z0600xx-ASA8 | Series            | Pisces      |         |                    |
| Drawn By | SS              | Approved/Modified | 6/18/12     | Type    | 6 Pc Suite         |



NOT DRAWN TO SCALE

131-0416-xx

Pisces  
6 Pc Suite  
Rev. A



| #  | Description                    | Part #       | Finish |  |  |  |  |  | Qty |
|----|--------------------------------|--------------|--------|--|--|--|--|--|-----|
|    |                                |              | CG     |  |  |  |  |  |     |
| 1  | Pisces Single Post TP Holder   | 130-0401- ** | CG     |  |  |  |  |  | 1   |
| 1a | Bracket                        | E-293002     | Zn     |  |  |  |  |  | 1   |
| 1b | Wall Screws                    | E-075022     |        |  |  |  |  |  | 2   |
| 1c | Assembly Screw                 | E-292519     | Zn     |  |  |  |  |  | 1   |
| 1d | Base                           | E-241010*    | Zn     |  |  |  |  |  | 1   |
| 1e | Set Screw                      | E-075038     |        |  |  |  |  |  | 1   |
| 1f | Base Trim Cover                | E-241031*    | GP     |  |  |  |  |  | 1   |
| 1g | Body                           | E-245108*    | CP     |  |  |  |  |  | 1   |
| 1h | Set Screw                      | E-292155*    | Zn     |  |  |  |  |  | 1   |
| 1i | Trim Ring                      | E-243807     | GP     |  |  |  |  |  | 1   |
| 1j | Cap                            | E-243091     | CP     |  |  |  |  |  | 1   |
| 1k | Paper Holder                   | E-251551*    | CP     |  |  |  |  |  | 1   |
| 1l | Lid                            | E-256121*    | CP     |  |  |  |  |  | 1   |
| 2  | Pisces Towel Ring              | 130-0407- ** | CG     |  |  |  |  |  | 1   |
| 2a | Bracket                        | E-293002     | Zn     |  |  |  |  |  | 1   |
| 2b | Wall Screws                    | E-075022     |        |  |  |  |  |  | 2   |
| 2c | Assembly Screw                 | E-075065*    | Zn     |  |  |  |  |  | 1   |
| 2d | Base                           | E-241010*    | Zn     |  |  |  |  |  | 1   |
| 2e | Set Screw                      | E-075038     |        |  |  |  |  |  | 1   |
| 2f | Base Trim Cover                | E-241031*    | GP     |  |  |  |  |  | 1   |
| 2g | Body                           | E-240311*    | CP     |  |  |  |  |  | 1   |
| 2h | Towel Ring Plugs               | E-255000*    |        |  |  |  |  |  | 2   |
| 2i | Ring                           | E-252001     | CP     |  |  |  |  |  | 1   |
| 2j | Trim Ring                      | E-243807     | GP     |  |  |  |  |  | 1   |
| 2k | Cap                            | E-243091     | CP     |  |  |  |  |  | 1   |
| 3  | Pisces Robe Hook               | 130-0410- ** | CG     |  |  |  |  |  | 1   |
| 3a | Bracket                        | E-293002     | Zn     |  |  |  |  |  | 1   |
| 3b | Wall Screws                    | E-075022     |        |  |  |  |  |  | 2   |
| 3c | Assembly Screw                 | E-075093     | Zn     |  |  |  |  |  | 1   |
| 3d | Base                           | E-241010*    | Zn     |  |  |  |  |  | 1   |
| 3e | Set Screw                      | E-075038     |        |  |  |  |  |  | 1   |
| 3f | Base Trim Cover                | E-241031*    | GP     |  |  |  |  |  | 1   |
| 3g | Hook                           | E253003*     | CP     |  |  |  |  |  | 1   |
| 3h | Body                           | E-240321*    | CP     |  |  |  |  |  | 1   |
| 3i | Trim Ring                      | E-243807     | GP     |  |  |  |  |  | 1   |
| 3j | Cap                            | E-243091     | CP     |  |  |  |  |  | 1   |
| 4  | Pisces Soap Dish               | 130-0409- ** | CG     |  |  |  |  |  | 1   |
| 4a | Bracket                        | E-293002     | Zn     |  |  |  |  |  | 1   |
| 4b | Wall Screws                    | E-075022     |        |  |  |  |  |  | 2   |
| 4c | Assembly Screw                 | E-075065*    | Zn     |  |  |  |  |  | 1   |
| 4d | Base                           | E-241010*    | Zn     |  |  |  |  |  | 1   |
| 4e | Set Screw                      | E-075038     |        |  |  |  |  |  | 1   |
| 4f | Base Trim Cover                | E-241031*    | GP     |  |  |  |  |  | 1   |
| 4g | Body                           | E-240331*    | CP     |  |  |  |  |  | 1   |
| 4h | Soap Dish                      | E-265041     |        |  |  |  |  |  | 1   |
| 4i | Screws                         | E-075067*    | Zn     |  |  |  |  |  | 2   |
| 4j | Trim Ring                      | E-243807     | GP     |  |  |  |  |  | 1   |
| 4k | Cap                            | E-243091     | CP     |  |  |  |  |  | 1   |
| 5  | Pisces Cup/Toothbrush Holder   | 130-0408- ** | CG     |  |  |  |  |  | 1   |
| 5a | Bracket                        | E-293002     | Zn     |  |  |  |  |  | 1   |
| 5b | Wall Screws                    | E-075022     |        |  |  |  |  |  | 2   |
| 5c | Assembly Screw                 | E-075065*    | Zn     |  |  |  |  |  | 1   |
| 5d | Base                           | E-241010*    | Zn     |  |  |  |  |  | 1   |
| 5e | Set Screw                      | E-075038     |        |  |  |  |  |  | 1   |
| 5f | Base Trim Cover                | E-241031*    | GP     |  |  |  |  |  | 1   |
| 5g | Body                           | E-240331*    | CP     |  |  |  |  |  | 1   |
| 5h | Cup/Toothbrush Dish            | E-244000     |        |  |  |  |  |  | 1   |
| 5i | Screws                         | E-075067*    | Zn     |  |  |  |  |  | 2   |
| 5j | Trim Ring                      | E-243807     | GP     |  |  |  |  |  | 1   |
| 5k | Cap                            | E-243091     | CP     |  |  |  |  |  | 1   |
| 5l | Cup (Plastic)                  | E-265032     |        |  |  |  |  |  | 1   |
| 6  | Pisces Towl Bar/TP Post Set    | 130-0406- ** | CG     |  |  |  |  |  | 1   |
| 6a | Bracket                        | E-293002     | Zn     |  |  |  |  |  | 2   |
| 6b | Wall Screws                    | E-075022     |        |  |  |  |  |  | 4   |
| 6c | Assembly Screw                 | E-075066     | Zn     |  |  |  |  |  | 2   |
| 6d | Base                           | E-241010*    | Zn     |  |  |  |  |  | 2   |
| 6e | Set Screw                      | E-075038     |        |  |  |  |  |  | 2   |
| 6f | Base Trim Cover                | E-241031*    | GP     |  |  |  |  |  | 2   |
| 6g | Body                           | E-240031*    | CP     |  |  |  |  |  | 2   |
| 6h | Trim Ring                      | E-243807     | GP     |  |  |  |  |  | 2   |
| 6i | Cap                            | E-243091     | CP     |  |  |  |  |  | 2   |
| 7  | Universal 24" Towel Bar (16mm) | 130-0004- ** | CP     |  |  |  |  |  | 1   |
| 7a | 24" Towel Bar (16mm)           | E-250001*    | CP     |  |  |  |  |  | 1   |
| 8  | Allen Wrench                   | E-031000     |        |  |  |  |  |  | 1   |

\* - Part is not available individually. "Assembled" item is required.

\*\* - Assembly is in-stock at SHURflo and must be shipped directly from SHURflo's distribution center.

Prepared Exclusively For  
SHURflo Marine Grade Faucets