

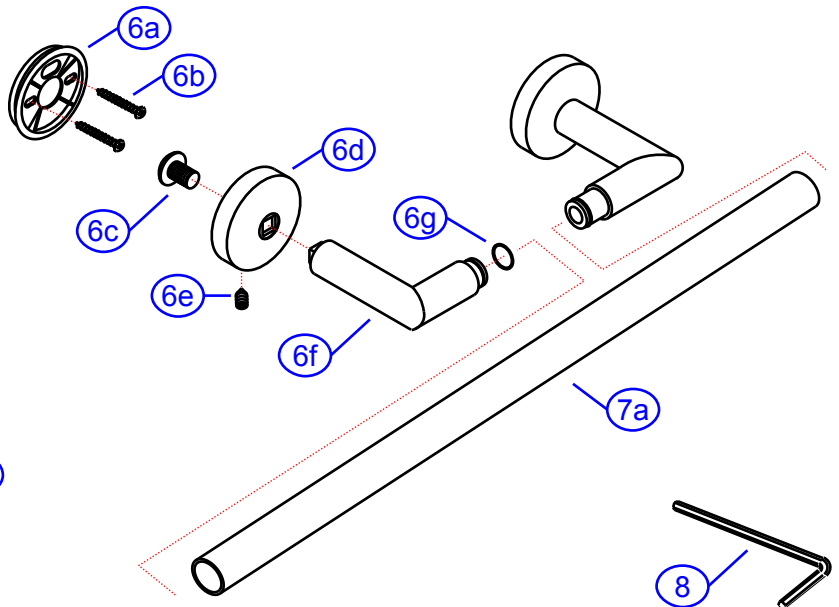
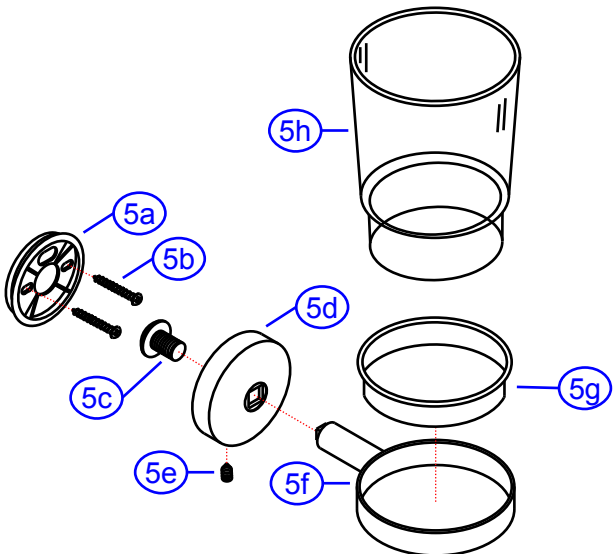
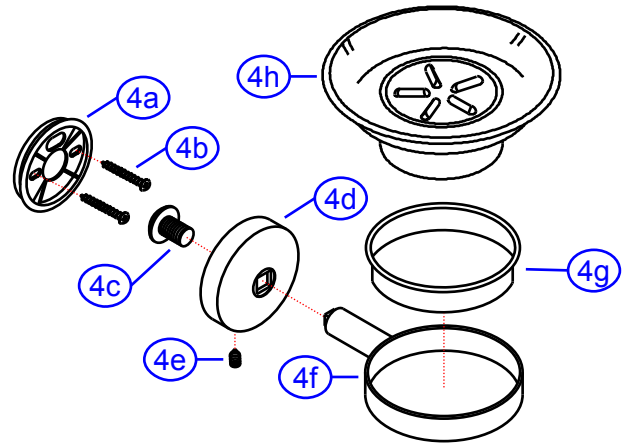
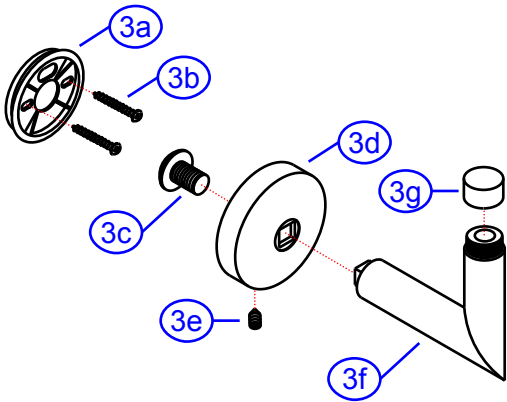
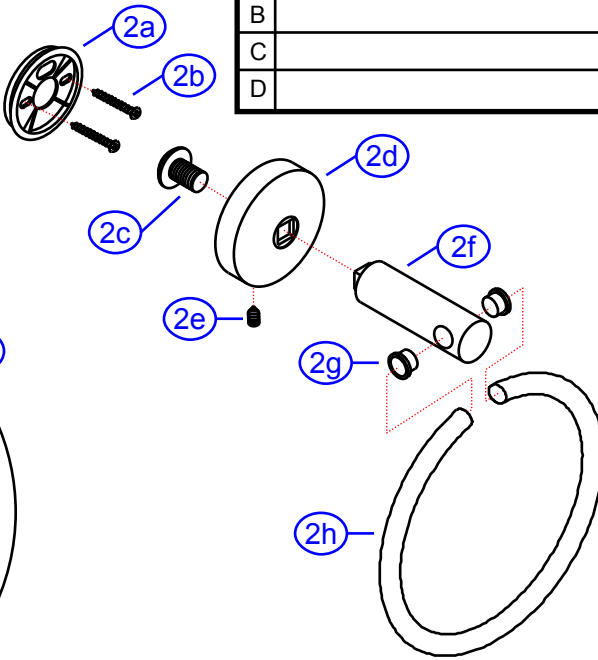
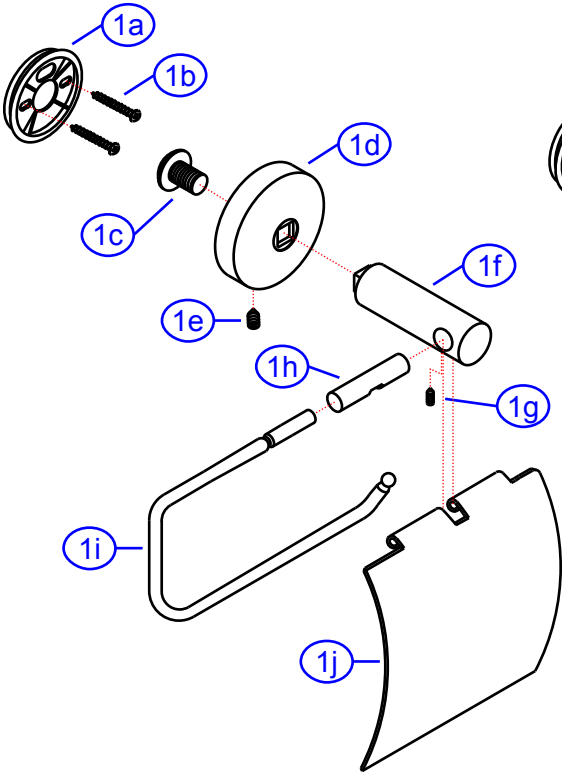
Rev.	Change
A	Original
B	
C	
D	

131-0716-xx

SHURflo Mainline Grade Faucets
 5900 Katiella Ave., Cypress, CA 90630
 800.854.3218 • Fax 562.795.5200 • Fax 562.795.7564
 www.shurflo.com



Rev #	A	Package Style	Aftermarket	Model #	131-0716-xx
Vendor #	B39Z0600xx-ASA8	Series	Aviani / Allure		
Drawn By	SS	Approved/Modified	6/18/12	Type	6 Pc Suite



NOT DRAWN TO SCALE

131-0716-xx

Aviani / Allure

6 Pc Suite

Rev. A



#	Description	Part #	Finish					Qty
			CP					
1	Aviani / Allure Single Post TP Holder	130-1401-__**	CP					1
1a	Bracket	E-294000						1
1b	Wall Screws	E-075022						2
1c	Assembly Screw	E-075050	CP					1
1d	Base	E-241540*	CP					1
1e	Set Screw	E-075038						1
1f	Body	E-244193*	CP					1
1g	Set Screw	E-075052						1
1h	Sleeve	E-255117*						1
1i	Paper Holder	E-251552*	CP					1
1j	Lid	E-256129*	CP					1
2	Aviani / Allure Towel Ring	130-1407-__**	CP					1
2a	Bracket	E-294000						1
2b	Wall Screws	E-075022						2
2c	Assembly Screw	E-075050	CP					1
2d	Base	E-241520*	CP					1
2e	Set Screw	E-075038						1
2f	Body	E-244578*	CP					1
2g	Towel Ring Plugs	E-255055						1
2h	Ring	E-252001	CP					1
3	Aviani / Allure Robe Hook	130-1410-__**	CP					1
3a	Bracket	E-294000						1
3b	Wall Screws	E-075022						2
3c	Assembly Screw	E-075050	CP					1
3d	Base	E-241520*	CP					1
3e	Set Screw	E-075038						1
3f	Body	E-245136*	CP					1
3g	Cap	E-243941*	CP					1
4	Aviani / Allure Soap Dish	130-1409-__**	CP					1
4a	Bracket	E-294000						1
4b	Wall Screws	E-075022						2
4c	Assembly Screw	E-075050	CP					1
4d	Base	E-241540*	CP					1
4e	Set Screw	E-075038						1
4f	Body	E-244329*	CP					1
4g	Sleeve	E-268321						1
4h	Dish (Plastic)	E-265031						1
5	Aviani / Allure Cup Holder	130-1408-__**	CP					1
5a	Bracket	E-294000						1
5b	Wall Screws	E-075022						2
5c	Assembly Screw	E-075050	CP					1
5d	Base	E-241540*	CP					1
5e	Set Screw	E-075038						1
5f	Body	E-244329*	CP					1
5g	Sleeve	E-268321						1
5h	Cup (Plastic)	E-265032						1
6	Aviani / Allure Towl Bar Post Set	130-1406-__**	CP					1
6a	Bracket	E-294000						2
6b	Wall Screws	E-075022						4
6c	Assembly Screw	E-075050	CP					2
6d	Base	E-241520*	CP					2
6e	Set Screw	E-075038						2
6f	Body	E-245137*	CP					2
6g	O-Ring	E-072011						2
7	Universal 24" Towel Bar (16mm-Exposed Ends)	130-0022-__**	CP					1
7a	24" Towel Bar (16mm-Exposed Ends)	E-250968*						1
8	Allen Wrench	E-031000						1

* - Part is not available individually. "Assembled" item is required.

** - Assembly is in-stock at SHURflo and must be shipped directly from SHURflo's distribution center.

Prepared Exclusively For
SHURflo Marine Grade Faucets

Revised

6/19/2012