

Rev. Change

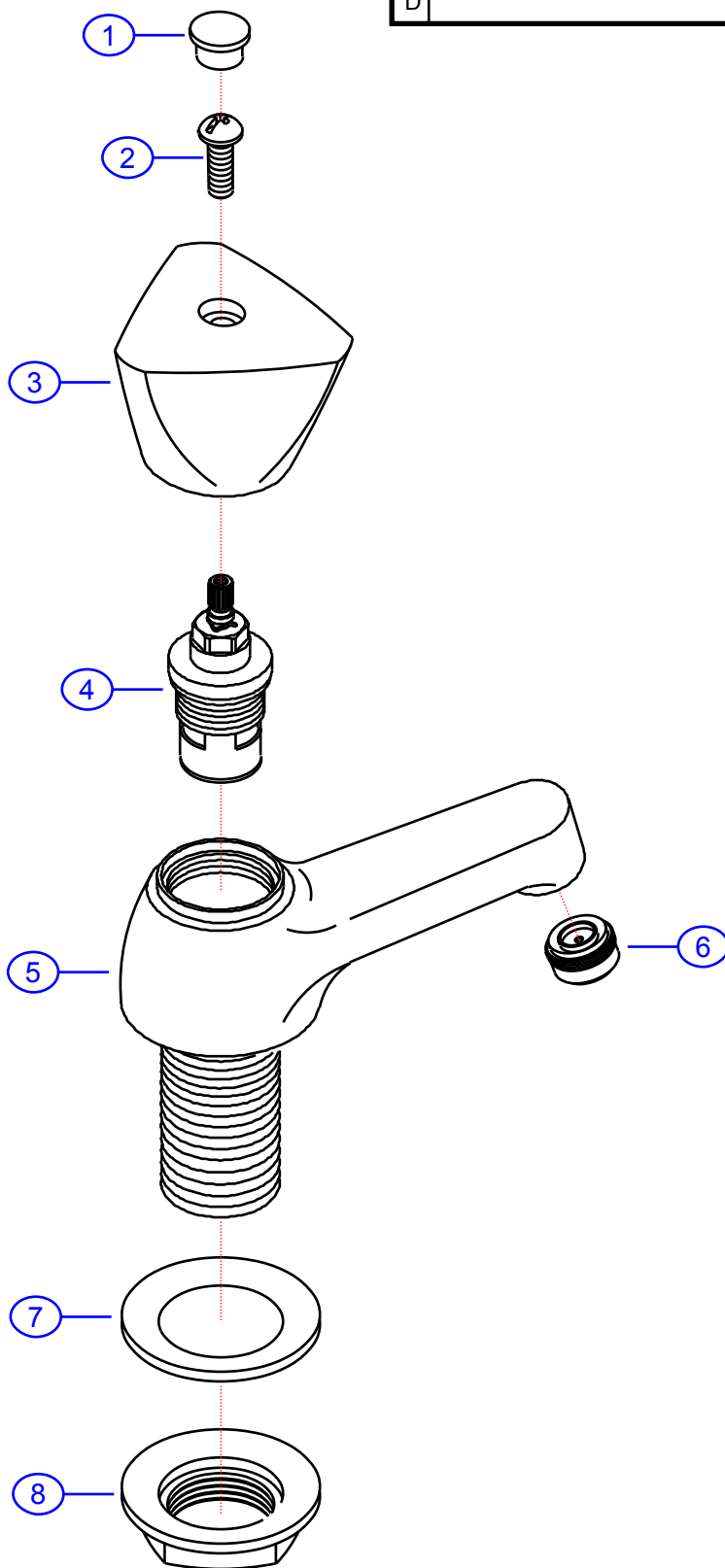
A	Original
B	
C	
D	

# 132-0211-xx

SHURflo Marine Grade Faucets  
5900 Katella Ave., Cypress, CA 90630  
800.854.3218 • 562.795.5200 • Fax 562.795.7564  
www.shurflo.com



Rev #	A	Package Style	OEM	Model #	<b>132-0211-xx</b>
Vendor #	FS0A1000xx-ASJ8	Series	Trinidad	Type	Deck Tap
Drawn By	SS	Approved/Modified	6/30/04		



NOT DRAWN TO SCALE

