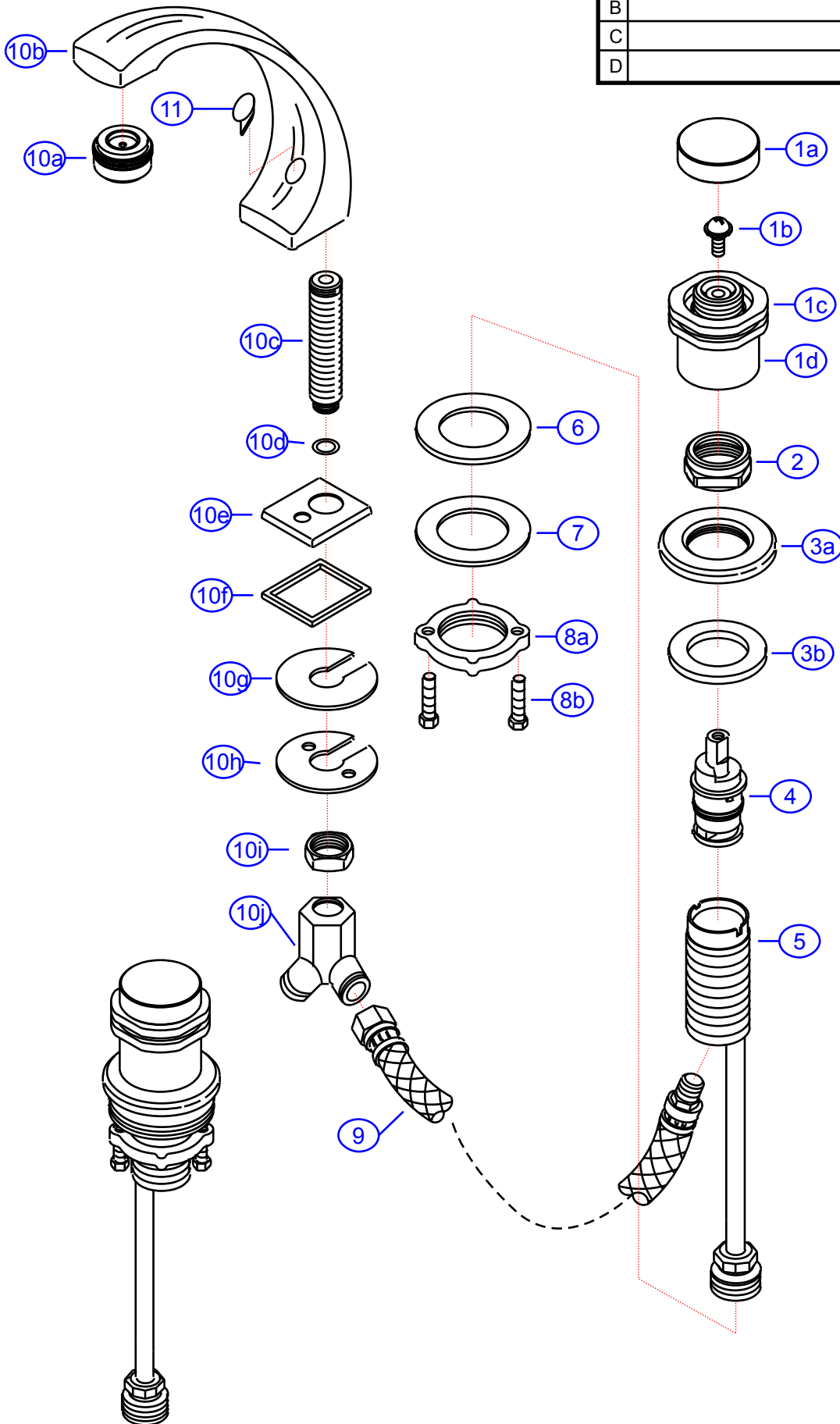


133-0414-xx

SHURflo Marine Grade Faucets
 5900 Katella Ave., Cypress, CA 90630
 800.854.3218 • 562.795.5200 • Fax 562.795.7564
 www.shurflo.com

Rev #	A	Package Style	Aftermarket	Model #	133-0414-xx
Vendor #				Series	Pisces
Drawn By	SS			Approved/Modified	1/17/05
				Type	4" Mini-Spread Faucet

Rev. Change	
A	Original
B	
C	
D	



NOT DRAWN TO SCALE

