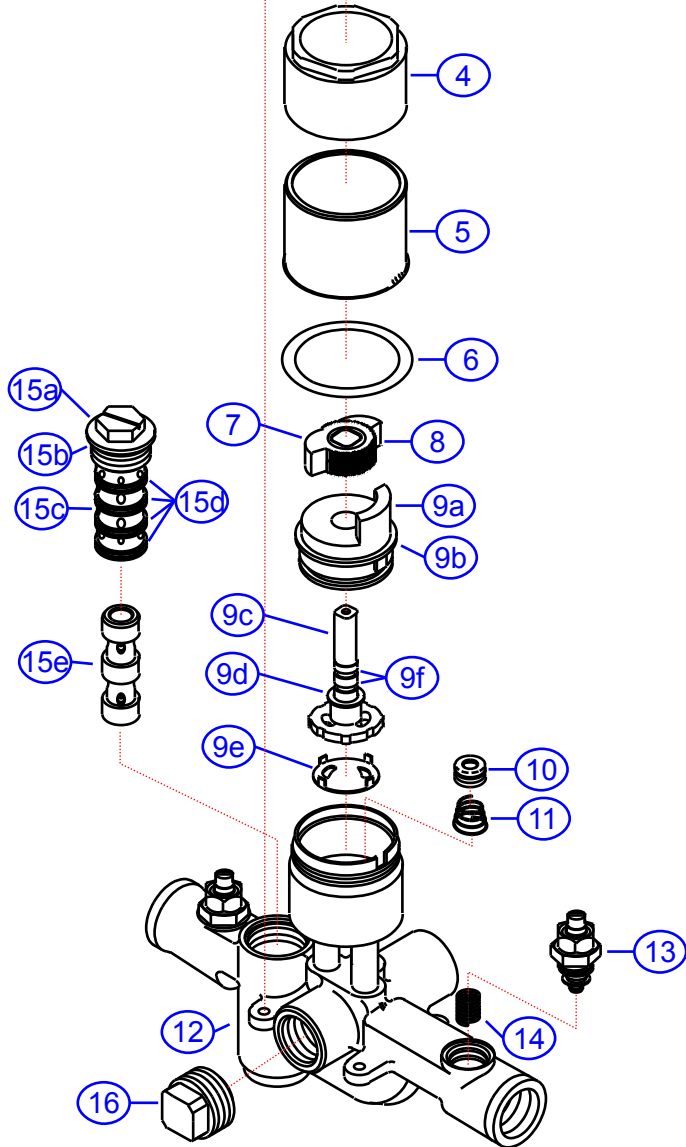


Rev. Change	
A	SHURflo branded
B	Eliminate Seat & Spring Housing
C	Ambassador branded
D	



# 134-0405-xx

by Associated Marketing Concepts  
www.ambassadormarine.com  
(800) 270-4262

**Ambassador**  
MARINE

Rev #	C	Package Style	OEM	Model #	<b>134-0405-xx</b>
Vendor #	A661108xx-ASJ6	Approved/Modified	01/11/12	Series	Pisces
Drawn By	SS	Type	Shower Mixer (Pres. Bal.)		

NOT DRAWN TO SCALE

134-0405-xx

Pisces  
 Shower Mixer (Pressure Balanced)  
 Rev. C



#	Description	Part #	Finish Code Suffix (i.e. EA-123456CP)				Qty
			CG	CY			
1	Pisces Handle Assembly	EA-506852	CG	CY			1
1a	Handle Cap	E-206047	CP	CP			1
1b	Handle Screw	E-008000					1
1c	Handle Trim Ring	E-218007*	GP	YP			1
1d	Handle Rod Tip	E-109006*	GP	YP			1
1e	Handle Rod	E-017015*					1
1f	Handle Rod Sleeve	E-108039*	CP	CP			1
1g	Canopy	E-018061*	CP	CP			1
2	Wall Plate Assembly	EA-556100	CP	CP			1
2a	Wall Plate	E-007041*	CP	CP			1
2b	Gasket	E-060055					1
3	Escutcheon Screw	E-075143	CP	CP			2
4	Retainer Nut	E-103020	GP	YP			1
5	Sleeve	E-217005	GP	YP			1
6	O-Ring	E-004008					1
7	Temp. Restrictor A	E-049000					1
8	Temp. Restrictor B	E-049001					1
9	PB Shower Cartridge Assembly	EA-507049					1
9a	Cartridge Body	E-214011*					1
9b	O-Ring	E-048016*					1
9c	Cartridge Stem	E-024112*					1
9d	Metal Washer	E-013050*					1
9e	Stem Plate	E-308006*					1
9f	O-Ring	E-004118*					2
10	Seat	E-101036					2
11	Spring	E-005000					2
12	Valve Body	E-044061					1
13	Shut-Off Valve	E-507037					2
14	Shut-Off Valve Spring	E-005012					2
15	Pressure Balance System Assembly	EA-507041					1
15a	PB Head	E-009094*					1
15b	O-Ring	E-048025*					1
15c	PB Spool	E-214015*					1
15d	O-Ring	E-048024*					4
15e	PB Tumbler	E-208041*					1
16	Tub Spout Plug	E-028004					1

\* - Part is not available individually. "Assembled" item is required.