

Rev. Change

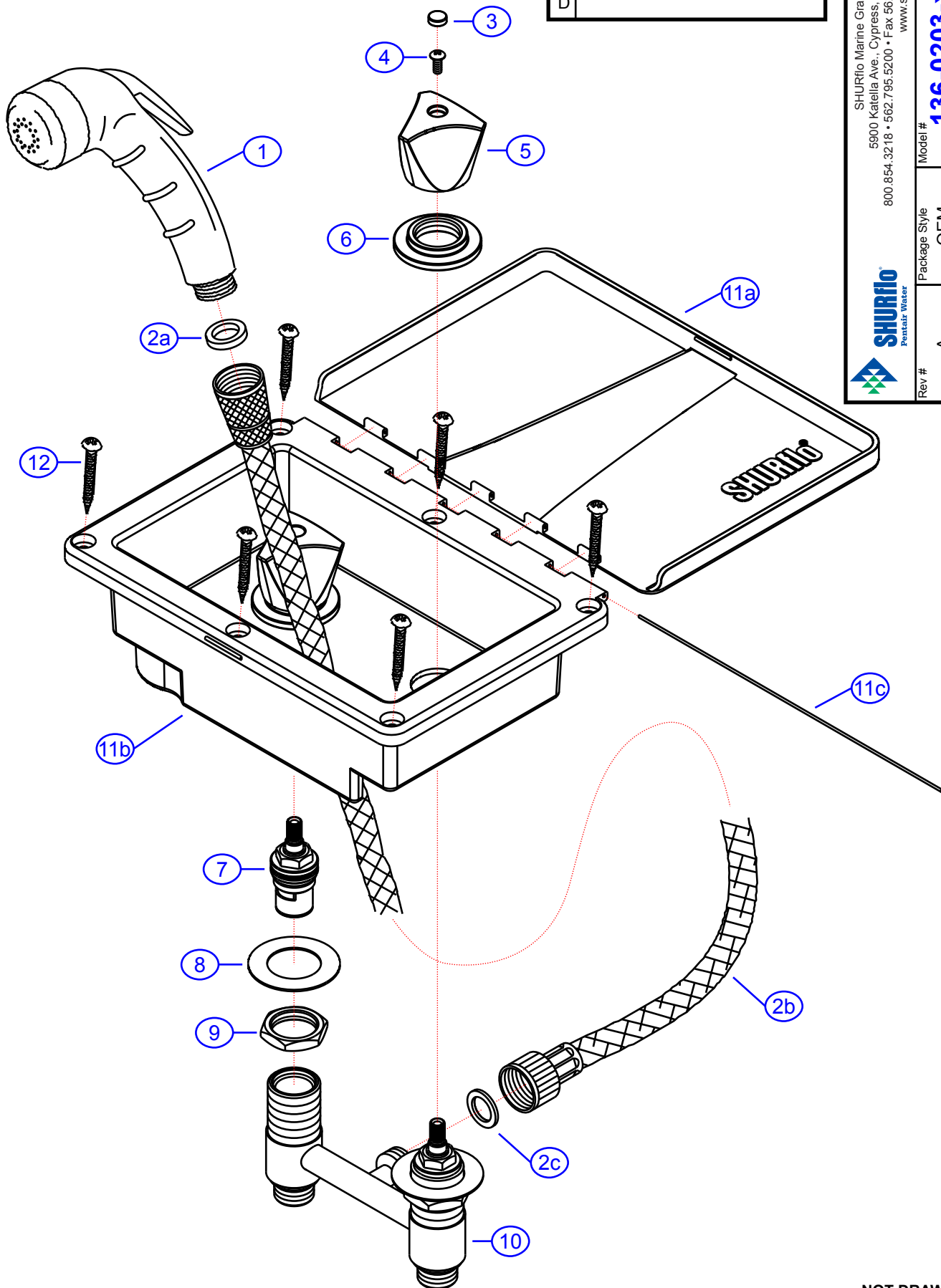
A	Original
B	
C	
D	

136-0203-xx

SHURflo Marine Grade Faucets
 5900 Katella Ave., Cypress, CA 90630
 800.854.3218 • 562.795.5200 • Fax 562.795.7564
 www.shurflo.com



Rev #	A	Package Style	OEM	Model #	136-0203-xx
Vendor #	F4AJ1201xx-ASJ8	Series	Trinidad	Approved/Modified	12/17/09
Drawn By	SS	Type	2-H H/C Transom Shower		



NOT DRAWN TO SCALE

136-0203-xx

Trinidad
 2-H Hot/Cold Transom Shower
 Rev. A



#	Description	Part #	Finish					Qty
			CW	CK				
1	Small Sprayer	EA-509001	WH	KP				1
	see "Individual Sprayer" for sprayer assembly breakdown							
2	72" Hose Assembly	EA-105123	KP	KP				1
2a	Washer (2.3 mm)	E-088007						1
2b	72" Hose	E-xxxx*	WH	KP				1
2c	Washer (1.5 mm)	E-088008						1
3	Blue Cap	E-028109C						1
	Red Cap	E-028109H						1
4	Screw	E-008154						2
5	Trinidad Handle	E-029124	CP	CP				2
6	Escutcheon	E-034114	CP	CP				2
7	Ceramic Disk Cartridge (Hot)	E-507175N						1
	Ceramic Disk Cartridge (Cold)	E-507176N						1
8	Metal Washer	E-013211						2
9	Lock Nut	E-009135						2
10	Valve Body	E-061594N						1
11	Transom Box (2-Hole - Small) Assembly	EA-540198	WH	KP				1
11a	Lid	E-xxxx*	WH	KP				1
11b	Box	E-xxxx*	WH	KP				1
11c	Hinge Rod	E-xxxx*						1
12	Mounting Screw	E-075022						6

* - Part is not available individually. "Assembled" item is required.

** - Assembly is in-stock at SHURflo and must be shipped directly from SHURflo's distribution center.