

Rev. Change

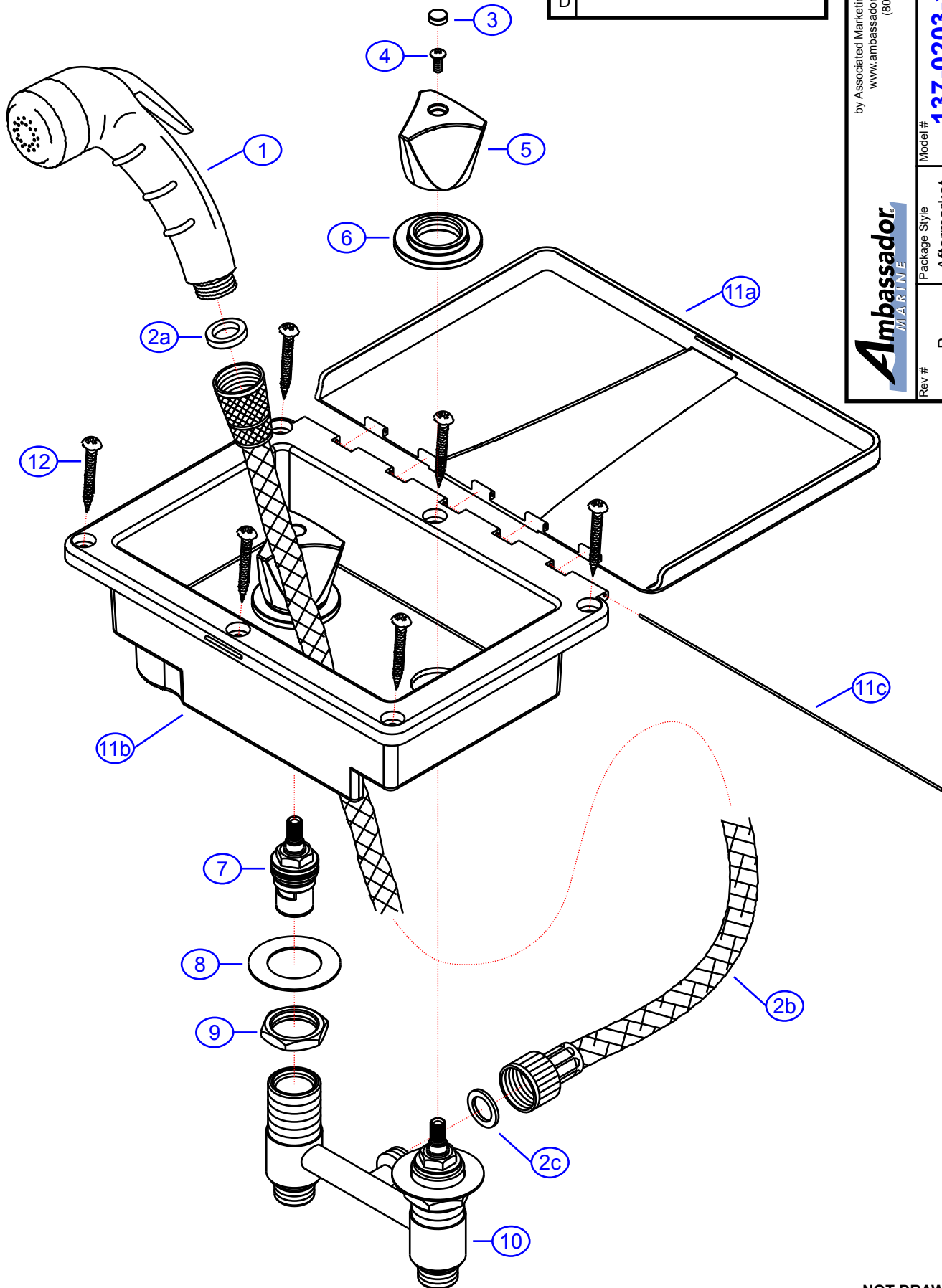
A	SHURflo branded
B	Ambassador branded
C	
D	

137-0203-xx

by Associated Marketing Concepts
www.ambassadormarine.com
(800) 270-4262

Ambassador MARINE

Rev #	B	Package Style	Aftermarket	Model #	137-0203-xx
Vendor #	F4AJ1201xx-ASA6	Series	Trinidad		
Drawn By	SS	Approved/Modified	10/05/11	Type 2-H H/C Transom Shower	



NOT DRAWN TO SCALE

