

Rev. Change

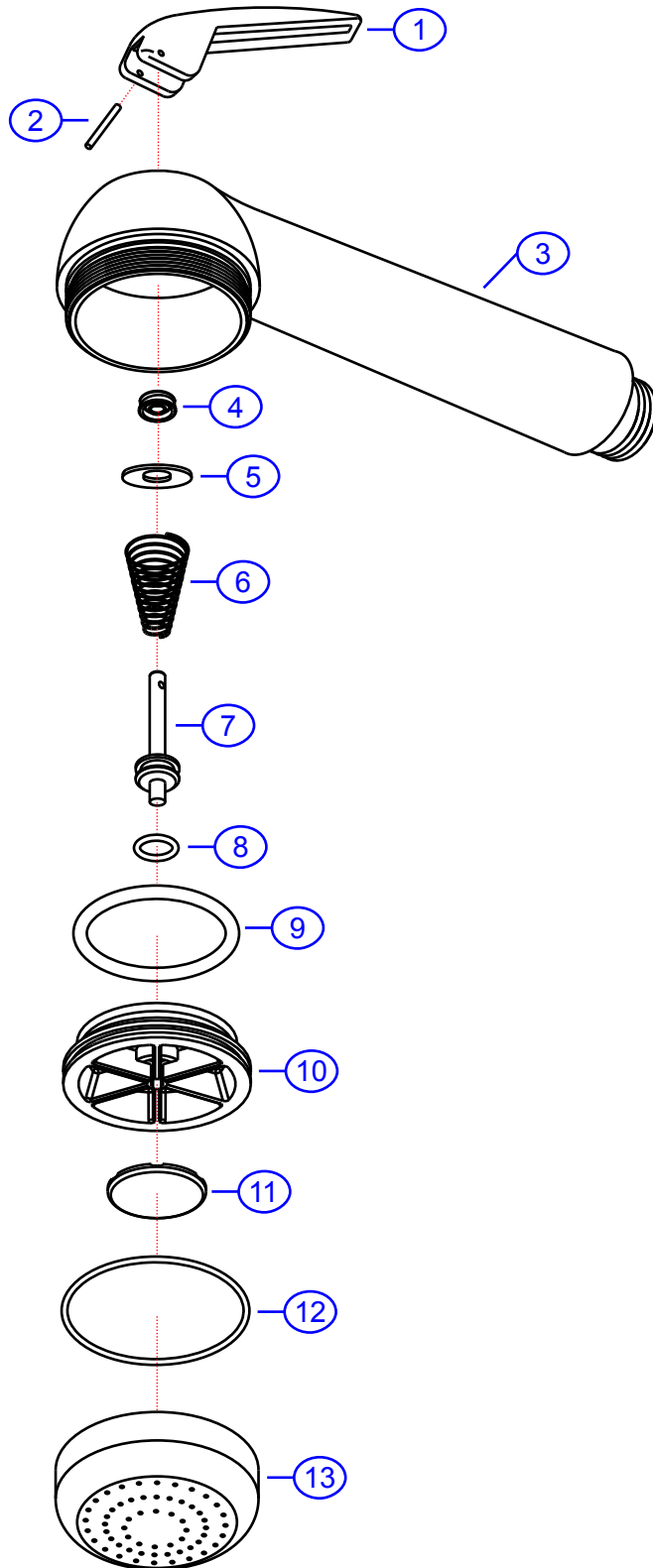
A	Ambassador branded
B	
C	
D	

# 138-0101-xx

by Associated Marketing Concepts  
www.ambassadormarine.com  
(800) 270-4262

**Ambassador**  
MARINE

Rev #	A	Package Style	Bulk	Model #	<b>138-0101-xx</b>
Vendor #	S221020xx-ASG6	Series	Large Marine Sprayer (No Hook)	Approved/Modified	
Drawn By	SS	Type	1/2" NPS-M		



NOT DRAWN TO SCALE

