

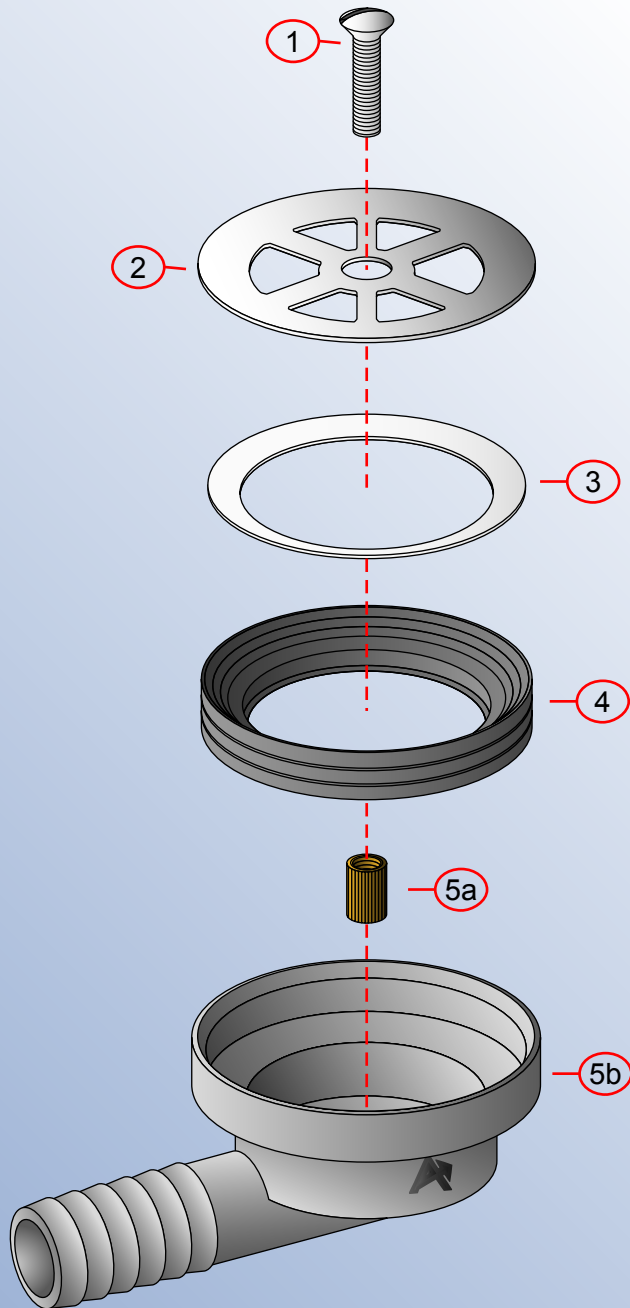
Rev. Change	
A	Original
B	
C	
D	

# S00-0003-xx

**Ambassador**  
MARINE

by Associated Marketing Concepts  
21624 Manila Street, Chatsworth, CA 91311-4123  
(800) 270-4262 • (818) 678-1651 • FAX (818) 678-1655  
www.ambassadormarine.com

Stopper	N/A	Package Style	Poly Bag	Model #	<b>S00-0003-xx</b>
Connection	1" Hose Barb	Drain Series	90° Floor Drain	Drain Type	Low Profile
Drain Size	2" (Fits: 2 1/16" Hole)	Modified/Approved	SS - 11/27/07		



NOT DRAWN TO SCALE

