

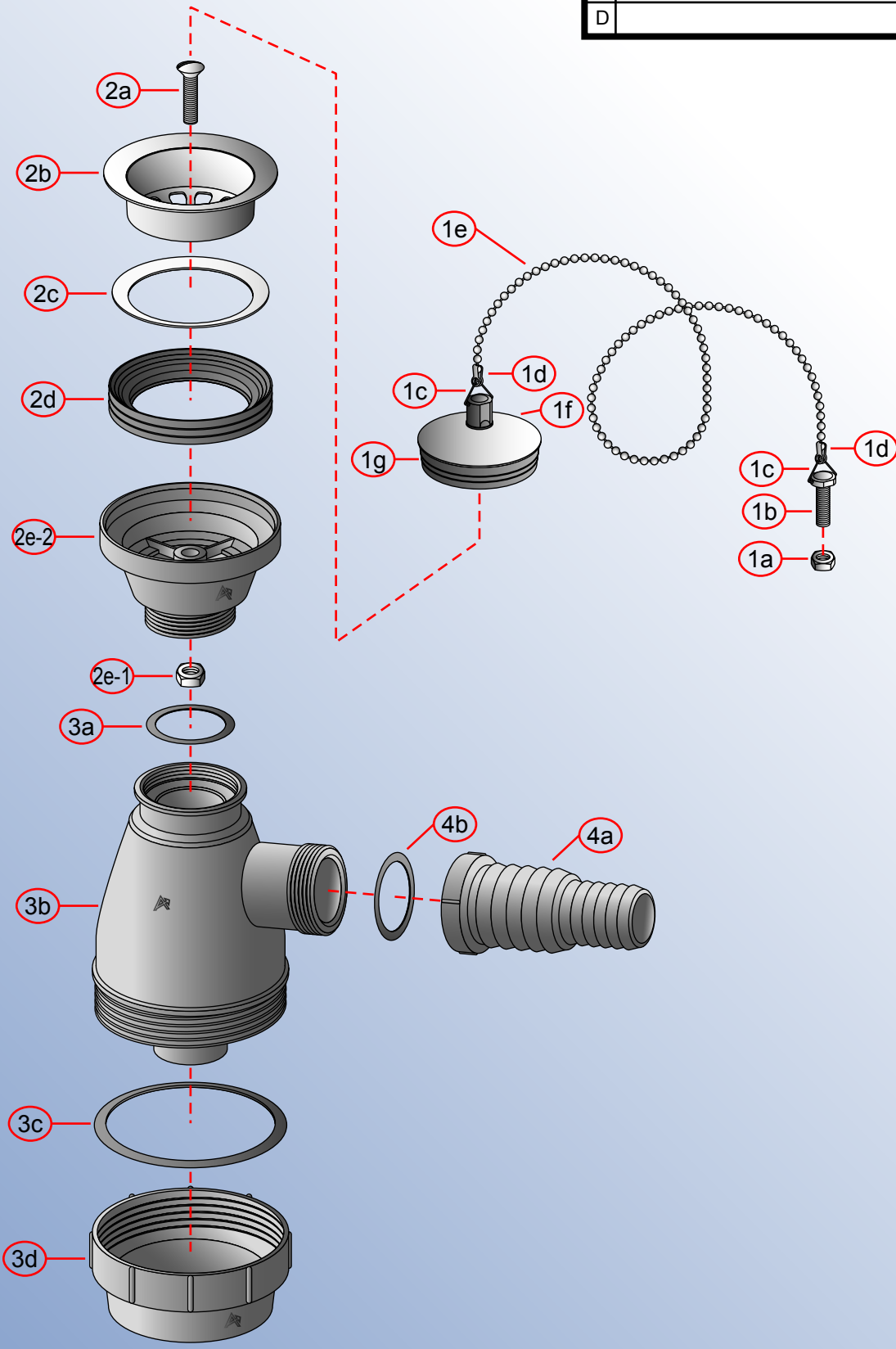
Rev. Change	
A	Original
B	
C	
D	

S00-0109-xx

Ambassador
MARINE

by Associated Marketing Concepts
21624 Manilla Street, Chatsworth, CA 91311-4123
(800) 270-4262 • (818) 678-1651 • FAX (818) 678-1655
www.ambassadormarine.com

Stopper	Package Style	Model #
Chain Stopper	Poly Bag	S00-0109-xx
Connection	1 1/4" & 1 1/2" Hose Barb	Drain Series
Drain Size	Modified/Approved	Trap Sink Drain
2" (Fits: 2 1/16" Hole)	SS - 10/16/08	Drain Type
		Trap



NOT DRAWN TO SCALE

S00-0109-xx

Trap Sink Drain
1 1/4" & 1 1/2" Hose Barb w/Chain Stopper
2" Drain (Fits: 2 1/16" Hole)
Rev. A



#	Description	Part #	Finish					Material	Qty
			UP	BP	PP	SP	WP		
1	Chain Stopper (Assembled)	S00-0110-xx	UP	UP	UP	UP	UP	N/A	1
1a	Chain Stopper- Nut	SDP-0001						Stainless Steel	1
1b	Chain Stopper- Screw	SDP-0002*						Stainless Steel	1
1c	Chain Stopper- Triangle Connector	SDP-0003*						Stainless Steel	2
1d	Chain Stopper- Chain Connector	SDP-0004*						Stainless Steel	2
1e	Chain Stopper- Chain	SDP-0005*						Stainless Steel	1
1f	Chain Stopper- Cover	SDP-0006-xx*	UM	UM	UM	UM	UM	Stainless Steel	1
1g	Chain Stopper- Plug	SDP-0007*						Rubber	1
2	Drain	S00-0004-xx	UP	BP	PP	SP	WP	N/A	1
2a	Screw (30 mm)	SDP-0019						Stainless Steel	1
2b	Flange	SDP-0009-xx	UM	BR	PB	ST	WH	Stainless Steel	1
2c	Foam Gasket	SDP-0010						Foam	1
2d	Rubber Gasket	SDP-0011						Rubber	1
2e	Body (Assembled)	SDA-1001						N/A	1
2e-1	Body- Screw Receiver	SDP-0001						Stainless Steel	1
2e-2	Body- Housing	SDP-0020*						PP	1
3	Trap Sink Drain	S00-0016-xx	PL	PL	PL	PL	PL	N/A	1
3a	Rubber Gasket	SDP-0021						Rubber	1
3b	Trap Body	SDP-0024						PP	1
3c	Rubber Gasket	SDP-0025						Rubber	1
3d	Trap Cup	SDP-0026						PP	1
4	Hose Barb Adapter (Assembled)	S00-0021-xx	PL	PL	PL	PL	PL	N/A	1
4a	1 1/4"-F Thread to 1 1/4" & 1 1/2" Hose Barb	SDP-0023*						PP	1
4b	Rubber Gasket	SDP-0021						Rubber	1

* - Grayed parts are not available individually. "Assembled" item is required.