

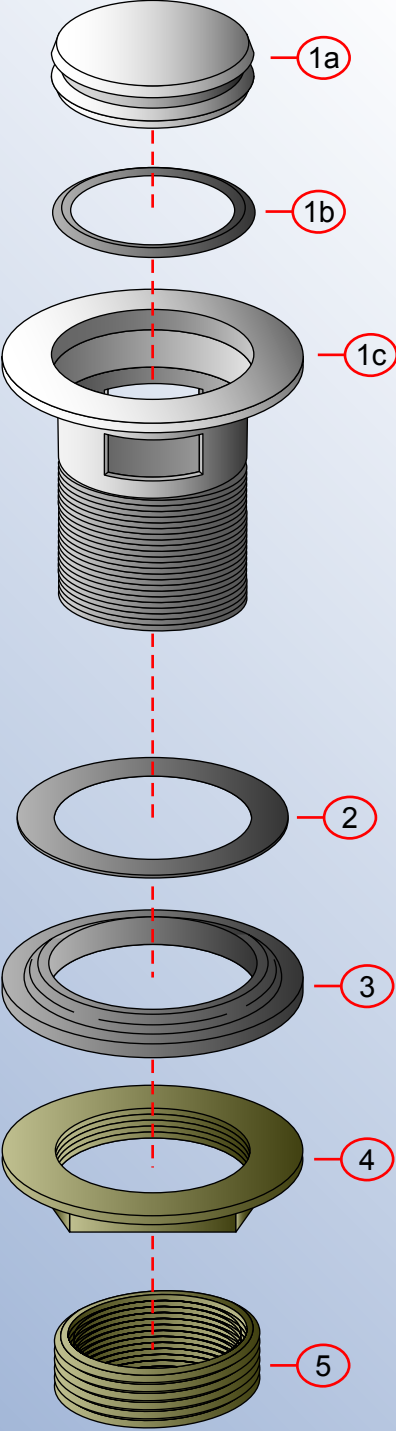
Rev. Change	
A	Original
B	
C	
D	

S01-0504-xx

by Associated Marketing Concepts
 21624 Manilla Street, Chatsworth, CA 91311-4123
 (800) 270-4262 • (818) 678-1651 • FAX (818) 678-1655
 www.ambassadormarine.com

Ambassador
 MARINE

Stopper	Flip	Package Style	Poly Bag	Model #	S01-0504-xx
Connection	1 1/4" -M Thread	Drain Series	Straight Sink Drain	Drain Type	Flip Drain (With Overflow)
Drain Size	1 1/2" (Fits: 1 3/4" Hole)	Modified/Approved	SS - 02/21/08		



NOT DRAWN TO SCALE

