

Rev. Change

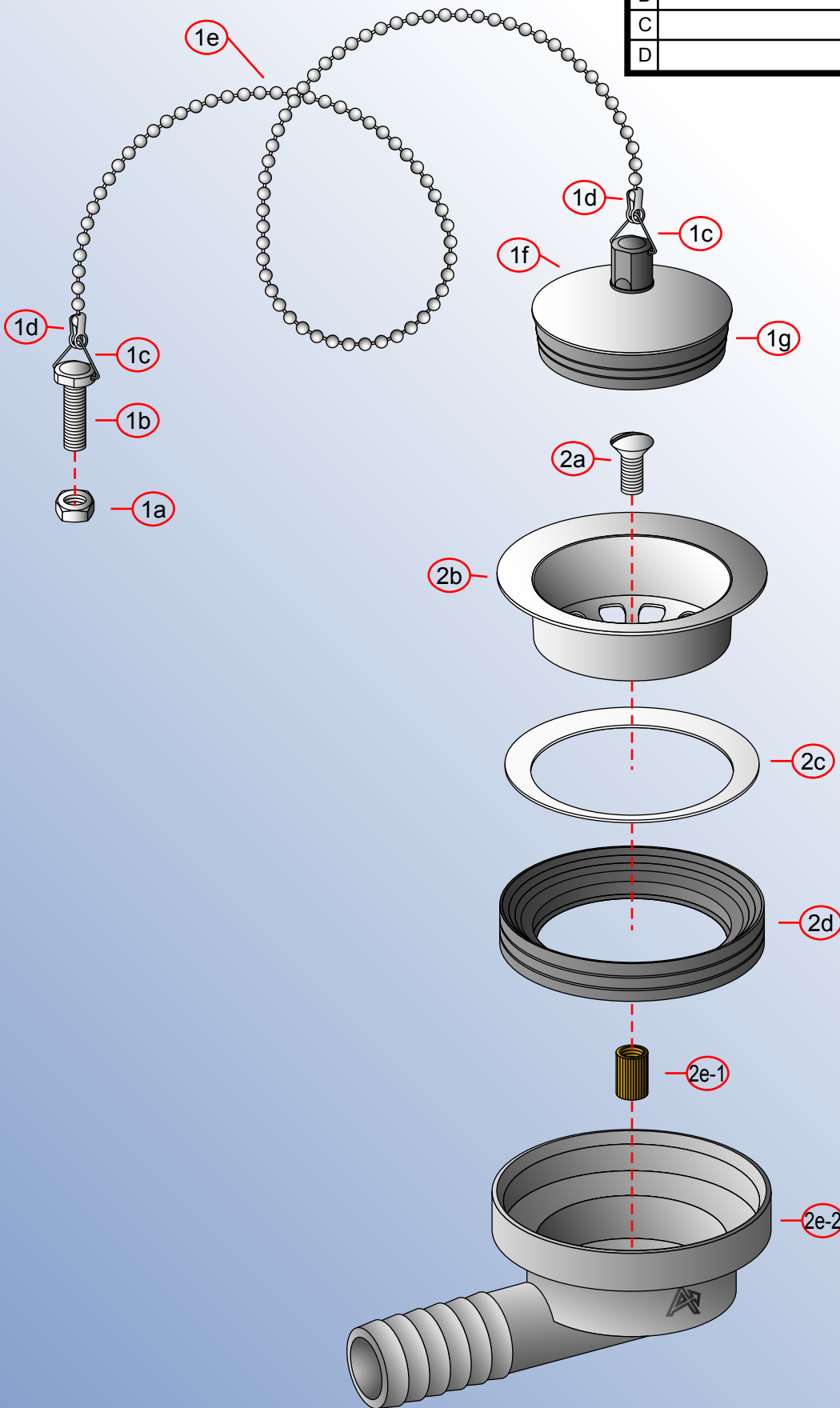
A	Original
B	
C	
D	

S00-0101-xx

Ambassador
MARINE

by Associated Marketing Concepts
21624 Manilla Street, Chatsworth, CA 91311-4123
(800) 270-4262 • (818) 678-1651 • FAX (818) 678-1655
www.ambassadormarine.com

Stopper	Package Style	Model #	Drain Series	Drain Type
Chain Stopper	Poly Bag	S00-0101-xx	90° Sink Drain	Low Profile
Connection	1" Hose Barb			
Drain Size	Modified/Approved			
2" (Fits: 2 1/16" Hole)	SS - 10/02/08			



NOT DRAWN TO SCALE

