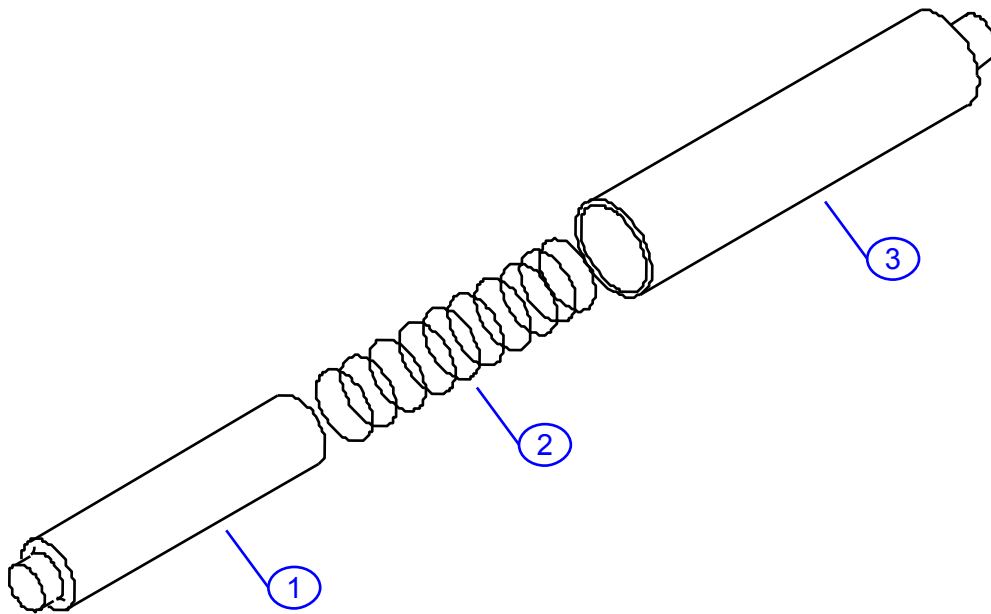


130-0000-xx

SHURflo
First in Fluid Innovation™
SHURflo Marine Grade Faucets
5900 Katella Ave., Cypress, CA 90630
(562) 795-5200 • FAX (562) 795-7554
www.shurflo.com

Rev #	A	Package Style	OEM	Model #	130-0000-xx
Vendor #	A254110xx-ASJ8	Series	Universal		
Drawn By	SS	Modified/Approved	6/4/04	Type	TP Roller



NOT DRAWN TO SCALE

