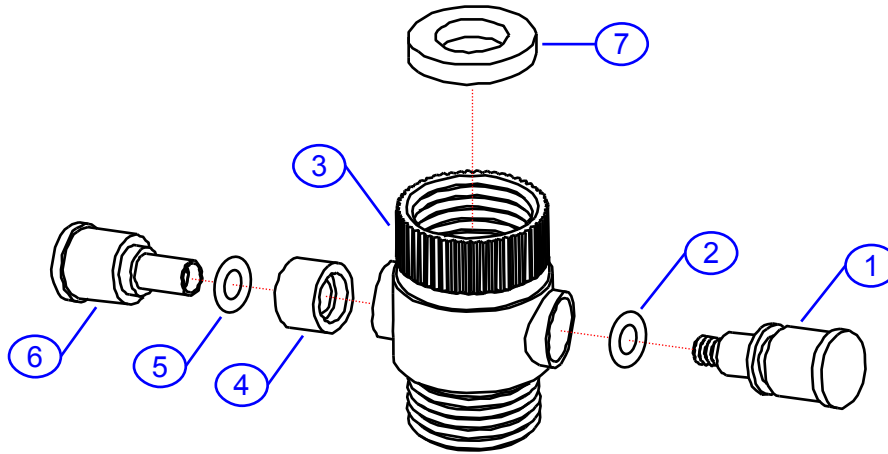


130-0013-xx

**SHURflo**  
First in Fluid Innovation™

SHURflo Marine Grade Faucets  
5900 Katella Ave., Cypress, CA 90630  
(562) 795-5200 • FAX (562) 795-7554  
www.shurflo.com

Rev #	A	Package Style	OEM	Model #	<b>130-0013-xx</b>
Vendor #	A663301xx-ASJ8			Series	Universal
Drawn By	SS	Modified/Approved	7/22/04	Type	Stand-By Switch (Std. 1/2")



NOT DRAWN TO SCALE

