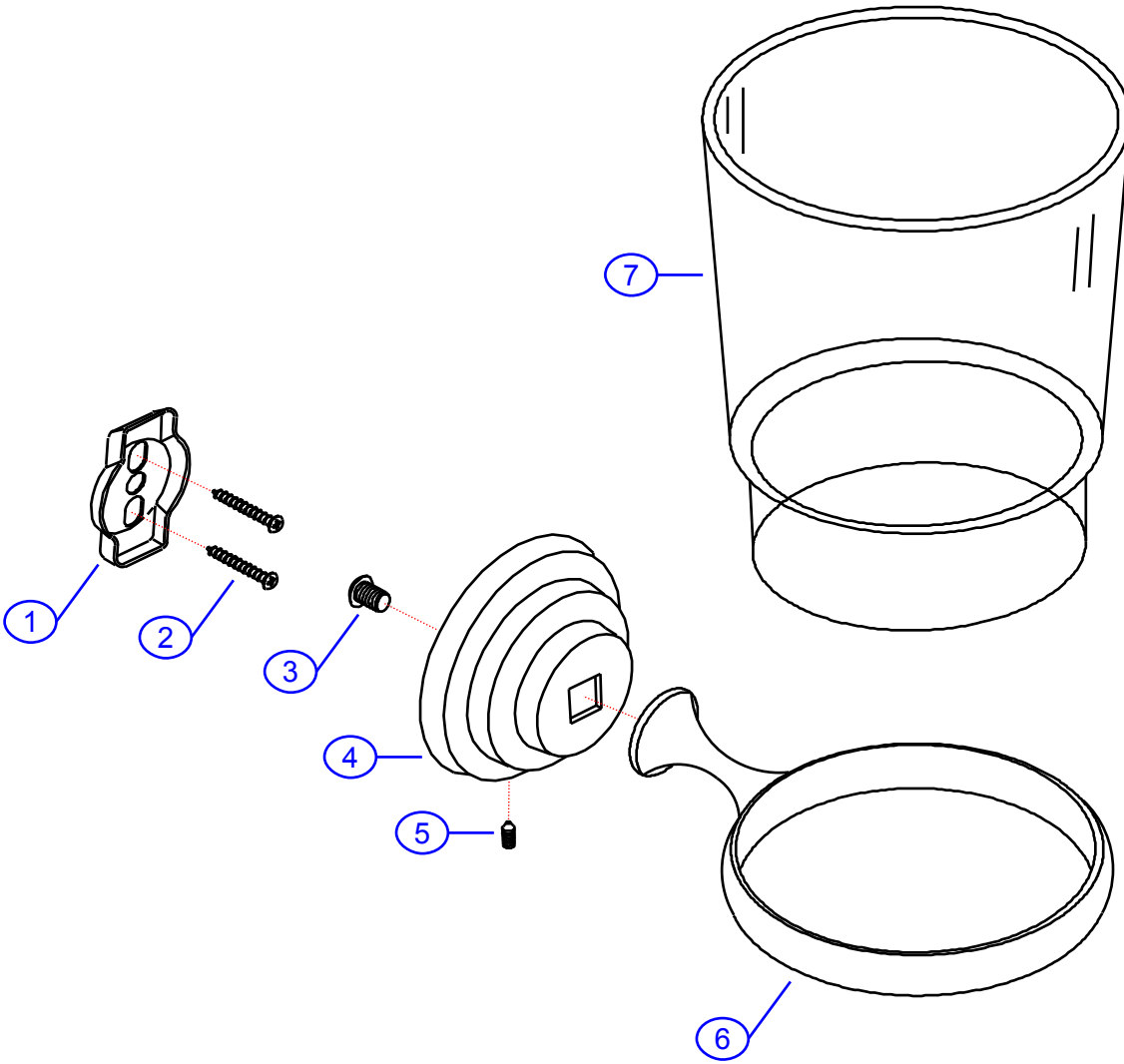


130-0108-xx

SHURflo Marine Grade Faucets
5900 Katella Ave., Cypress, CA 90630
(562) 795-5200 • FAX (562) 795-7554
www.shurflo.com

SHURflo
First in Fluid Innovation™

Rev #	A	Package Style	OEM	Model #	130-0108-xx
Vendor #	B6661103xx-ASJ8	Series	Stasis		
Drawn By	SS	Modified/Approved	6/25/04	Type	Cup Holder



NOT DRAWN TO SCALE

