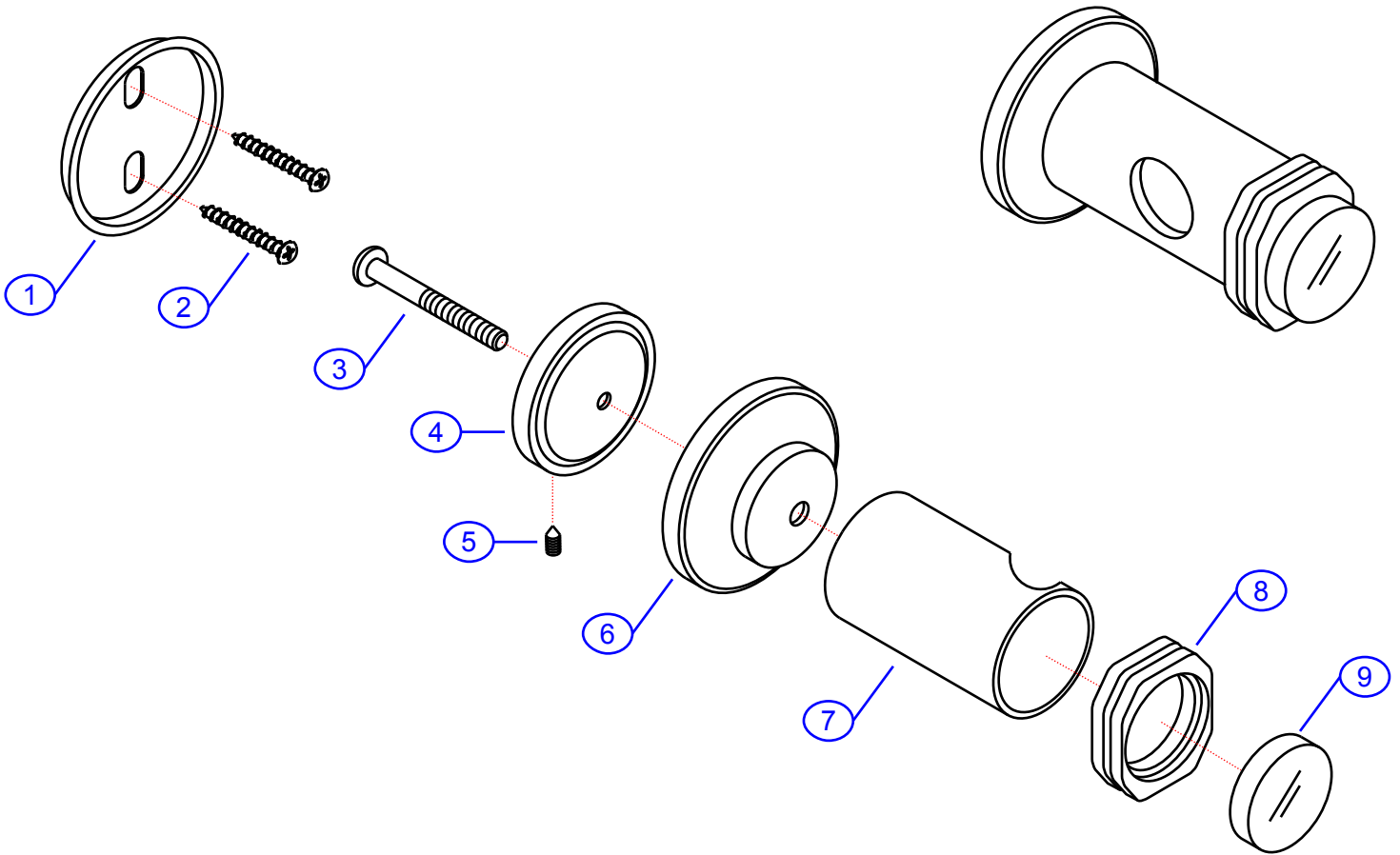


130-0406-xx

SHURflo
First in Fluid Innovation™
SHURflo Marine Grade Faucets
5900 Katiella Ave., Cypress, CA 90630
(562) 795-5200 • FAX (562) 795-7554
www.shurflo.com

Rev #	-	Package Style	OEM	Model #	130-0406-xx
Vendor #	A667112xx-ASJ8	Modified/Approved		Series	Pisces
Drawn By	SS		2/17/05	Type	Towel Bar/TP Post Set



NOT DRAWN TO SCALE

