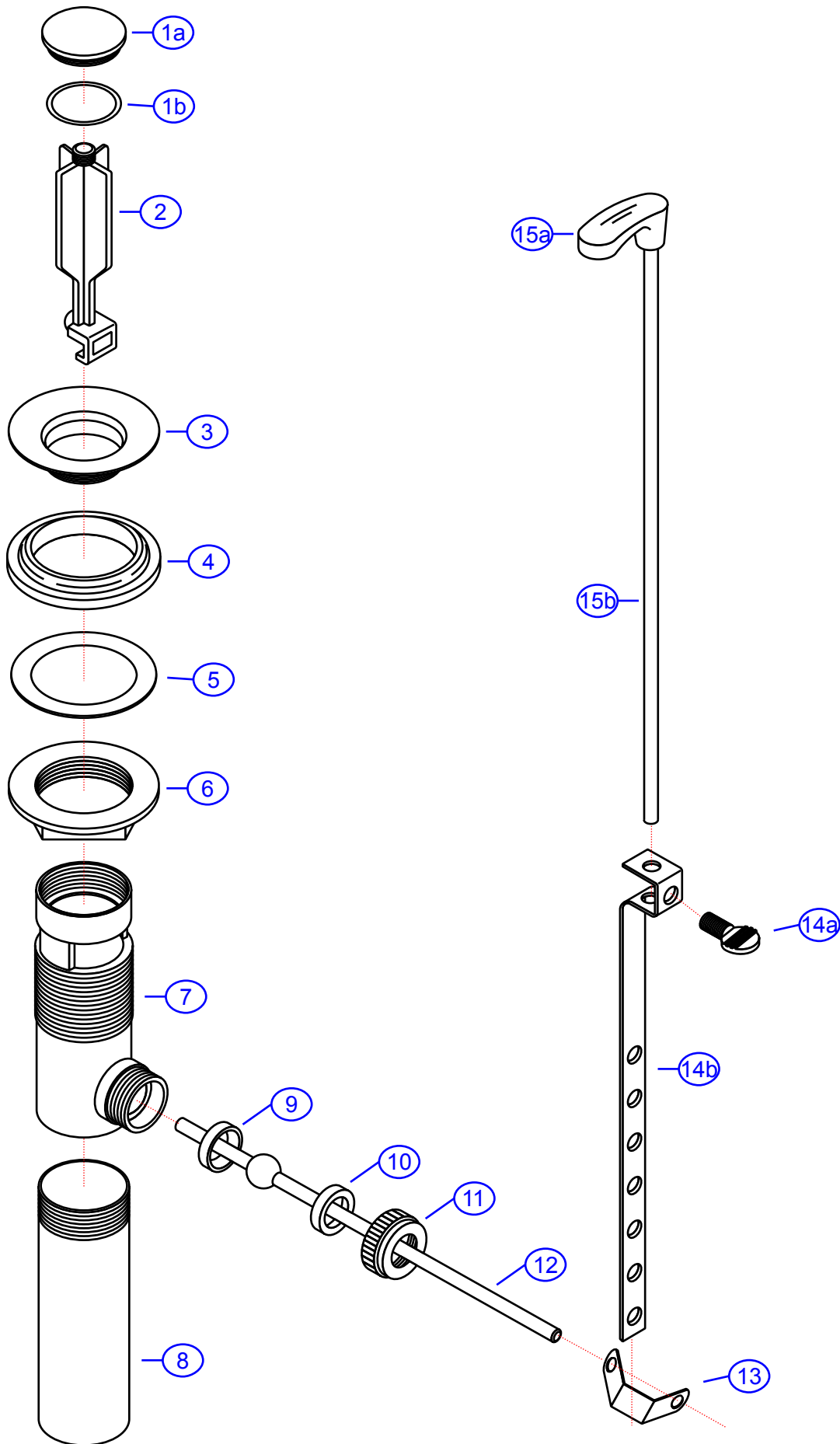


# 130-0419-xx

**SHURflo**  
*First in Fluid Innovation™*  
SHURflo Marine Grade Faucets  
5900 Katella Ave., Cypress, CA 90630  
(562) 795-5200 • FAX (562) 795-7554  
www.shurflo.com

Rev #	-	Package Style	OEM	Model #	<b>130-0419-xx</b>
Vendor #	A505006xx-ASJ8	Series	Pisces	Modified/Approved	
Drawn By	SS	Type	Pop-Up Drain (w/ Overflow)		



NOT DRAWN TO SCALE

