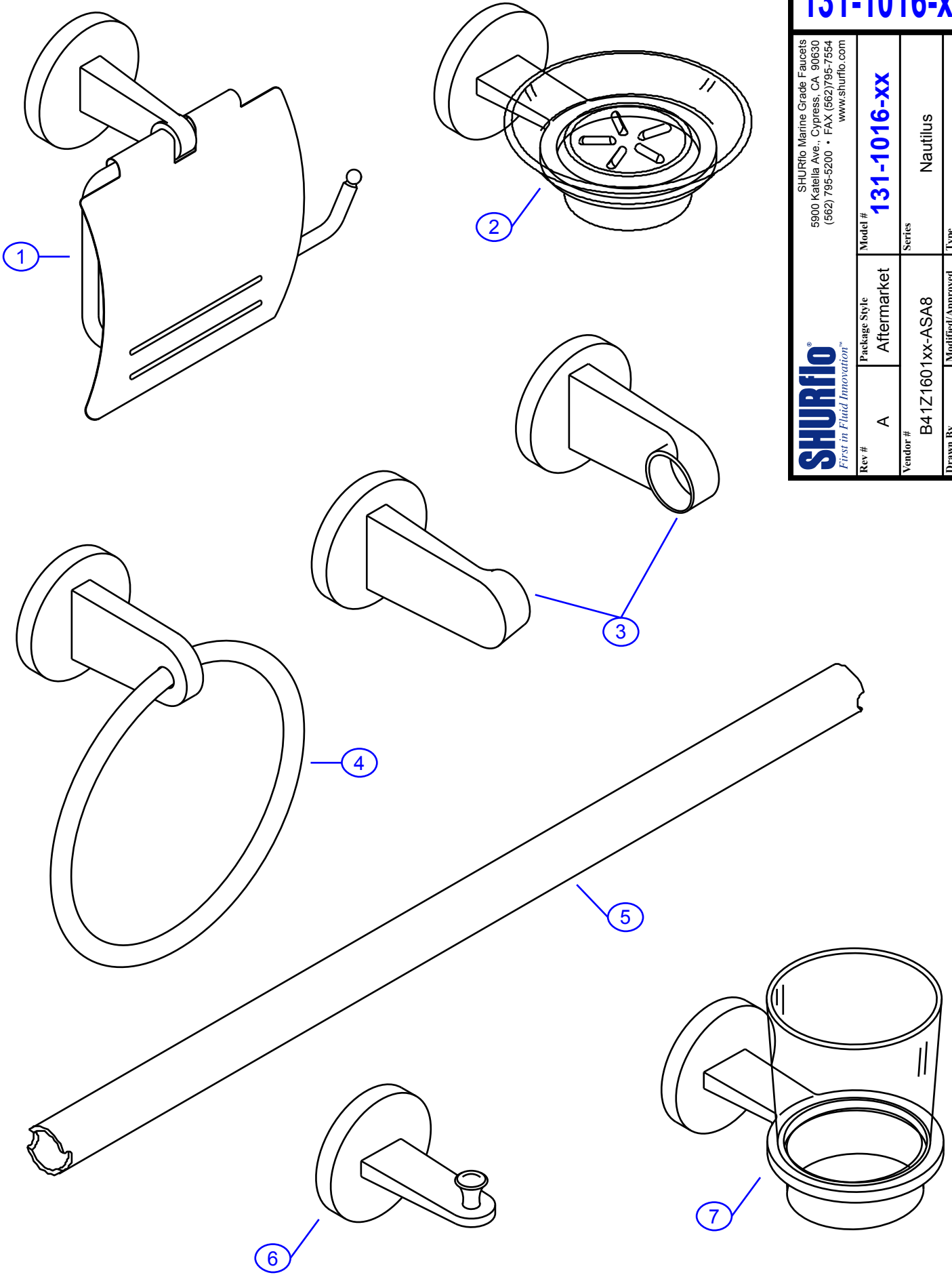


131-1016-xx

SHURflo
First in Fluid Innovation™
SHURflo Marine Grade Faucets
5900 Katelyn Ave., Cypress, CA 90630
(562) 795-5200 • FAX (562) 795-7554
www.shurflo.com

Rev #	A	Package Style	Aftermarket	Model #	131-1016-xx
Vendor #	B41Z1601xx-ASA8	Series			
Drawn By	SS	Modified/Approved	2/21/05	Type	Nautilus
					6 Pc Suite



NOT DRAWN TO SCALE

